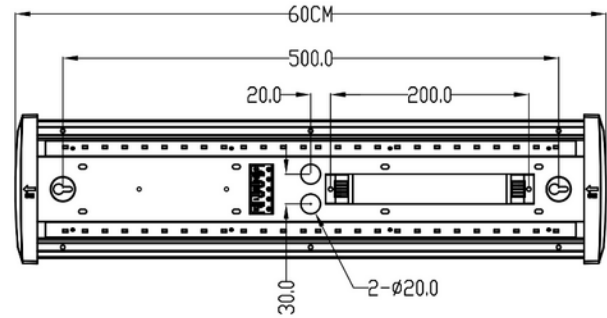


**PRODUCT DATA SHEET**

Universal 2000lm 830 105° 16W 600mm WH IP44

Art.no: 8070-105-3

*Lighting Solutions*

## Universal 2000lm 830 105° 16W 600mm WH IP44



ELECTRICAL DATA	
Protection Class (system)	1
Dimming (system)	None
Voltage (system) [V]	230V 50Hz

TECHNICAL DATA	
IP (system)	IP44
Outdoor	No
Operating temperature (°C)	-20 - 25

PHOTOMETRIC DATA	
Efficacy (system) (lm/W)	117
CRI / Ra (>=)	80
CCT (Color Temperature) (K)	3000

**PRODUCT DATA SHEET**

Universal 2000lm 830 105° 16W 600mm WH IP44

Art.no: 8070-105-3

*Lighting Solutions*

PHOTOMETRIC DATA	
Color Code	830
Lightsource Type	LED (built in)
Socket / Cap-Base	N/A
Lens (Diffuser)	PMMA Opal
Lifetime (h)	L80B10: 100 000
MacAdam (SDCM)	3
Manufacturer (light source)	LG

DRIVER	
Manufacturer (driver)	Osram
Protection Class (driver)	1 or 2
Max Output Voltage (V)	60
Dimming (driver)	None
IP (driver)	IP20
Expected Lifetime (driver) (h)	50000
Constant current or voltage (CC or CV)	CC
CC (driver) [mA]	200 - 350
Current setting (driver)	DIP-switch
CC (forward voltage driver) (V)	23.0 - 51.0
Output Current Tolerance (%)	7.5
Current Ripple (%)	5.0
Max load pr circuit - B10	45
Max load pr circuit - B16	72
Max load pr circuit - C10	70
Max load pr circuit - C16	112
Inrush current time (µs)	220.0
Inrush current I <sub>max</sub> (A)	11.6

DIMENSIONS	
Length (product) (mm)	600.0
Width (product) (mm)	160.0
Height (product) (mm)	50.0
Weight (product) (kg)	1.4

**PRODUCT DATA SHEET**

Universal 2000lm 830 105° 16W 600mm WH IP44

Art.no: 8070-105-3

*Lighting Solutions*

MATERIALS AND SURFACES	
Color	White
Housing Material	Steel

INSTALLATION AND CONNECTION	
Areas of use	Generally, Industrial, Kitchen
Mounting	Surface, Ceiling
Connection (system)	QuickConnect

ENERGY AND CERTIFICATIONS	
CE mark	Yes
Energy Efficiency Class	A++ - A

**LIGHT DISTRIBUTION**