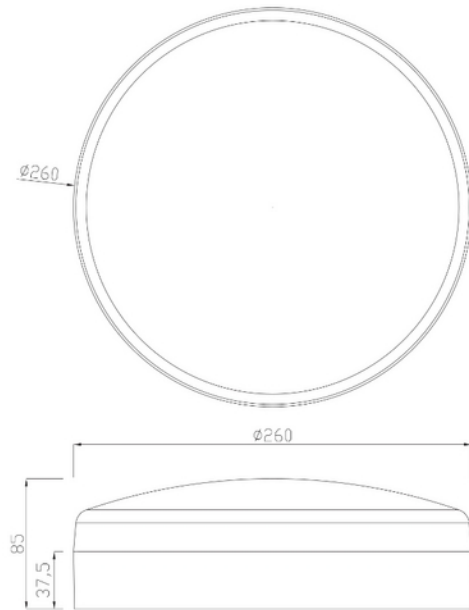


**FDV DOCUMENTATION**

Caph 1300lm 830/840/857 Switch 120° 12W WH

Art.no: 9030-120-3

*Lighting Solutions*

## Caph 1300lm 830/840/857 Switch 120° 12W WH



SPECIFICATIONS	
Inrush current time ( $\mu$ s)	27.2
Inrush current I <sub>max</sub> (A)	23.8
Width (product) (mm)	260.0
Height (product) (mm)	85.0
Weight (product) (kg)	0.57



**FDV DOCUMENTATION**

Caph 1300lm 830/840/857 Switch 120° 12W WH

Art.no: 9030-120-3



*Lighting Solutions*

**LIGHT DISTRIBUTION**

