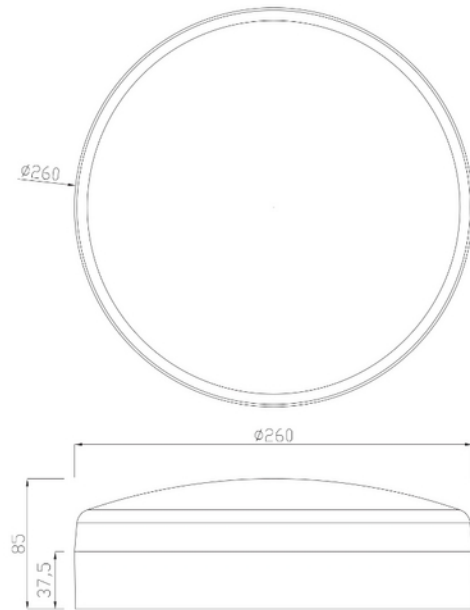


**FDV DOCUMENTATION**

Caph 1300lm 830/840/857 Switch 120° 12W WH Sensor  
Art.no: 9030-S-120-3



*Lighting Solutions*



## Caph 1300lm 830/840/857 Switch 120° 12W WH Sensor



SPECIFICATIONS	
Inrush current time ( $\mu$ s)	27.2
Inrush current I <sub>max</sub> (A)	23.8
Width (product) (mm)	260.0
Height (product) (mm)	85.0
Weight (product) (kg)	0.57



**FDV DOCUMENTATION**

Caph 1300lm 830/840/857 Switch 120° 12W WH Sensor

Art.no: 9030-S-120-3



*Lighting Solutions*

**LIGHT DISTRIBUTION**

