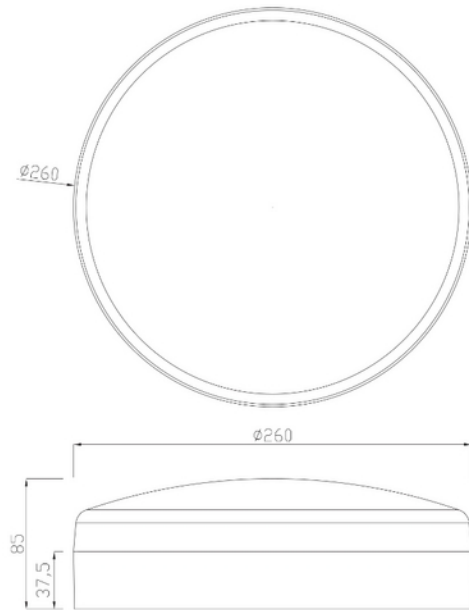


**PRODUCT DATA SHEET**

Caph 1300lm 830/840/857 Switch 120° 12W WH Sensor  
 Art.no: 9030-S-120-3

*Lighting Solutions*

## Caph 1300lm 830/840/857 Switch 120° 12W WH Sensor



Caph is as surface mounted ceiling light with opal diffuser and microwave motion and daylight sensor. Default setting sensor: Hold time 5mins, daylight off. Comes with a switch option between 3000K(default), 4000K and 5700K. Quickconnect for easy installation. All data is based on 4000K

| ELECTRICAL DATA           |             |
|---------------------------|-------------|
| Protection Class (system) | 2           |
| Dimming (system)          | Sensor (MW) |
| Voltage (system) [V]      | 230V 50Hz   |

| TECHNICAL DATA |      |
|----------------|------|
| IK (system)    | IK08 |
| IP (system)    | IP20 |
| Outdoor        | No   |

**PRODUCT DATA SHEET**

Caph 1300lm 830/840/857 Switch 120° 12W WH Sensor  
Art.no: 9030-S-120-3



*Lighting Solutions*

| PHOTOMETRIC DATA            |                 |
|-----------------------------|-----------------|
| Efficacy (system) (lm/W)    | 108             |
| CRI / Ra (>=)               | 80              |
| CCT (Color Temperature) (K) | 3/4/5700        |
| Color Code                  | 830/840/857     |
| Lightsource Type            | LED (built in)  |
| Socket / Cap-Base           | N/A             |
| Lens (Diffuser)             | Opal            |
| Lifetime (h)                | L80B10: 100 000 |
| MacAdam (SDCM)              | 3               |

| DRIVER                              |                      |
|-------------------------------------|----------------------|
| Flicker metric (Pst LM) <           | 1.0                  |
| Stroboscopic effect metric (SVM) <  | 0.4                  |
| Dimming output type                 | Amplitude Modulation |
| Flicker-free                        | Yes                  |
| CC (driver) [mA]                    | 300 - null           |
| CC (forward voltage driver) (V)     | 36.0 - null          |
| Output Current Tolerance (%)        | 5.0                  |
| Current Ripple (%)                  | 5.0                  |
| Max load pr circuit - B10           | 88                   |
| Max load pr circuit - B16           | 141                  |
| Max load pr circuit - C10           | 95                   |
| Max load pr circuit - C16           | 152                  |
| Leakage current (mA)                | 0.75                 |
| Inrush current time (µs)            | 27.2                 |
| Inrush current I <sub>max</sub> (A) | 23.8                 |

| DIMENSIONS            |       |
|-----------------------|-------|
| Width (product) (mm)  | 260.0 |
| Height (product) (mm) | 85.0  |
| Weight (product) (kg) | 0.57  |

| MATERIALS AND SURFACES |               |
|------------------------|---------------|
| Color                  | White         |
| Housing Material       | Polycarbonate |

**PRODUCT DATA SHEET**

Caph 1300lm 830/840/857 Switch 120° 12W WH Sensor  
Art.no: 9030-S-120-3



*Lighting Solutions*

| MATERIALS AND SURFACES |               |
|------------------------|---------------|
| Diffuser Material      | Polycarbonate |

| INSTALLATION AND CONNECTION |                                       |
|-----------------------------|---------------------------------------|
| Areas of use                | Cottage, Generally, Office, Residence |
| Mounting                    | Surface, Ceiling                      |
| Connection (system)         | QuickConnect                          |

| ENERGY AND CERTIFICATIONS |         |
|---------------------------|---------|
| Energy Class EPREL        | F       |
| CE mark                   | Yes     |
| Energy Efficiency Class   | A++ - A |

**LIGHT DISTRIBUTION**