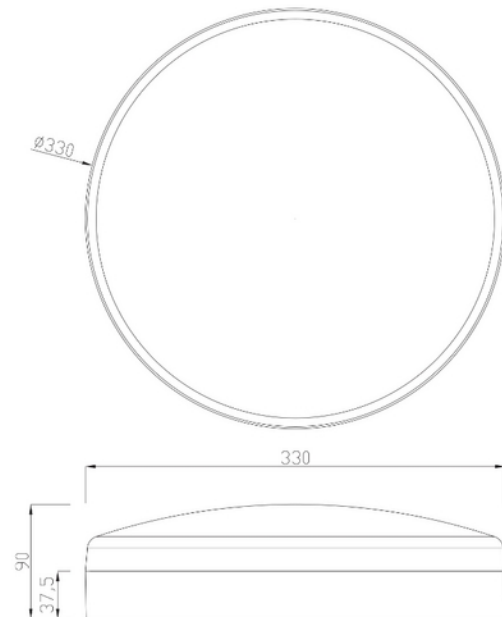


**PRODUCT DATA SHEET**

Caph 2700lm 830/840/857 Switch 120° 24W WH

Art.no: 9035-120-3

*Lighting Solutions*

Caph 2700lm 830/840/857 Switch 120° 24W WH



Caph is as surface mounted ceiling light with opal diffuser. Comes with a switch option between 3000K(default), 4000K and 5700K. Quickconnect for easy installation. All data is based on 4000K.

ELECTRICAL DATA	
Protection Class (system)	2
Dimming (system)	None
Voltage (system) [V]	230V 50Hz

TECHNICAL DATA	
IK (system)	IK08
IP (system)	IP20
Outdoor	No

PHOTOMETRIC DATA	
Efficacy (system) (lm/W)	119

**PRODUCT DATA SHEET**

Caph 2700lm 830/840/857 Switch 120° 24W WH

Art.no: 9035-120-3

*Lighting Solutions*

PHOTOMETRIC DATA	
CRI / Ra (>=)	80
CCT (Color Temperature) (K)	3/4/5700
Color Code	830/840/857
Lightsource Type	LED (built in)
Socket / Cap-Base	N/A
Lens (Diffuser)	Opal
Lifetime (h)	L80B10: 100 000
MacAdam (SDCM)	3

DRIVER	
Flicker metric (Pst LM) <	1.0
Stroboscopic effect metric (SVM) <	0.4
Flicker-free	Yes
CC (driver) [mA]	600 - null
CC (forward voltage driver) (V)	36.0 - null
Output Current Tolerance (%)	5.0
Current Ripple (%)	5.0
Max load pr circuit - B10	48
Max load pr circuit - B16	76
Max load pr circuit - C10	48
Max load pr circuit - C16	76
Leakage current (mA)	0.75
Inrush current time (µs)	27.6
Inrush current I _{max} (A)	31.2

DIMENSIONS	
Width (product) (mm)	330.0
Height (product) (mm)	90.0
Weight (product) (kg)	0.84

MATERIALS AND SURFACES	
Color	White
Housing Material	Polycarbonate
Diffuser Material	Polycarbonate

**PRODUCT DATA SHEET**

Caph 2700lm 830/840/857 Switch 120° 24W WH

Art.no: 9035-120-3

*Lighting Solutions*

INSTALLATION AND CONNECTION	
Areas of use	Cottage, Generally, Office, Residence
Mounting	Surface, Ceiling
Connection (system)	QuickConnect

ENERGY AND CERTIFICATIONS	
Energy Class EPREL	F
CE mark	Yes
Energy Efficiency Class	A++ - A

LIGHT DISTRIBUTION