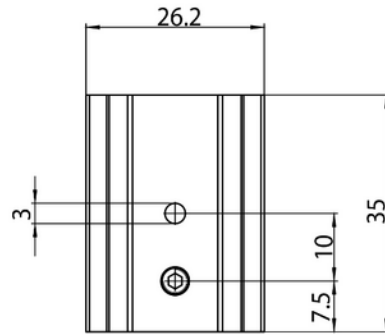


**FDV DOCUMENTATION**

Track EVO 48V ST1 short pendant bracket for suspensions WH

Art.no: 9500-312-SV-3

*Lighting Solutions*

Track EVO 48V ST1 short pendant bracket for suspensions WH



SPECIFICATIONS	
Length (product) (mm)	35.0
Width (product) (mm)	26.2
Height (product) (mm)	10.4