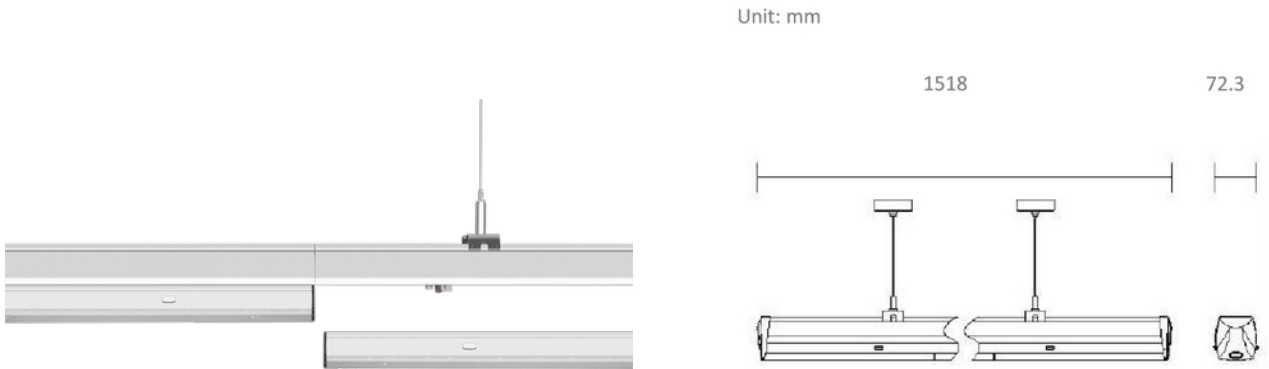


**PRODUCT DATA SHEET**

Trunk 9250lm 940 Wide 90° 50/46/43/40/36W WH DALI
 Art.no: CFL-2-1550-40WD-08-3-DA

*Lighting Solutions*

Trunk 9250lm 940 Wide 90° 50/46/43/40/36W WH DALI



Trunk is a premium quality and highly advanced linear pendant light system offering continuous light distribution. We offer a variety of accessories securing easy installation and various layouts ensuring a natural like lighting to any area. The Trunk light fixtures are manufactured in ultra-thin steel plates securing a long-life product. The Trunk fixtures are delivered with all needed installation details in one box and no tools are needed for the installation. Please see technical table below for detailed information. Batteries for emergency: 1 year warranty

ELECTRICAL DATA	
Protection Class (system)	1
Dimming (system)	CLO, Corridor, DALI, Push
Voltage (system) [V]	230V 50Hz / 176-275VDC

TECHNICAL DATA	
IP (system)	IP20
Outdoor	No

PHOTOMETRIC DATA	
CRI / Ra (>=)	90

**PRODUCT DATA SHEET**

Trunk 9250lm 940 Wide 90° 50/46/43/40/36W WH DALI

Art.no: CFL-2-1550-40WD-08-3-DA

*Lighting Solutions*

PHOTOMETRIC DATA	
CCT (Color Temperature) (K)	4000
Color Code	940
Lightsource Type	LED (built in)
Lens (Diffuser)	Clear
Lifetime (h)	L80B10: 100 000

DIMENSIONS	
Length (product) (mm)	1500.0
Width (product) (mm)	72.3
Height (product) (mm)	78.6
Weight (product) (kg)	3.41

MATERIALS AND SURFACES	
Color	White
RAL Code	RAL9016

INSTALLATION AND CONNECTION	
Areas of use	Generally, Industrial
Mounting	Suspended, Ceiling
Connection (system)	Trunk 8-wires

ENERGY AND CERTIFICATIONS	
CE mark	Yes
Energy Efficiency Class	A++

ALTERNATIVE DRIVERS	
Current Setting (mA) ?	600