

# Rod Mini

## INSTALLATION MANUAL

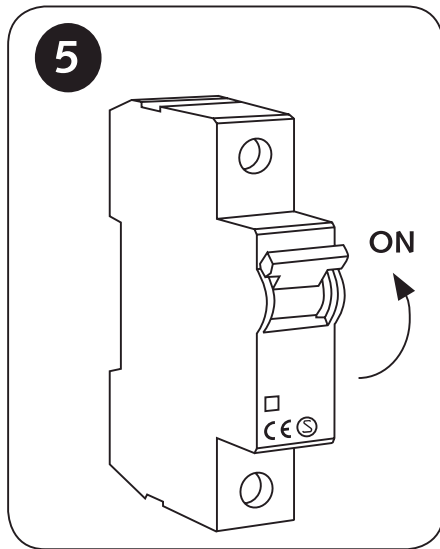
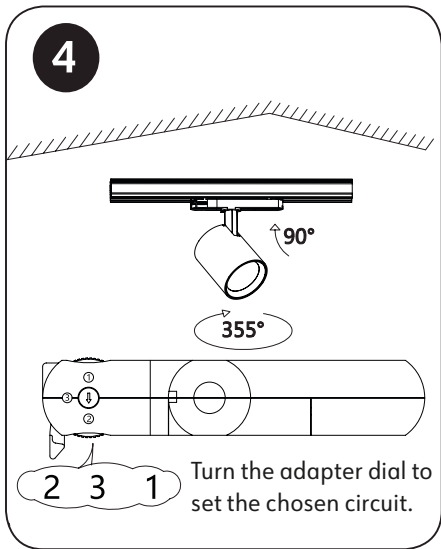
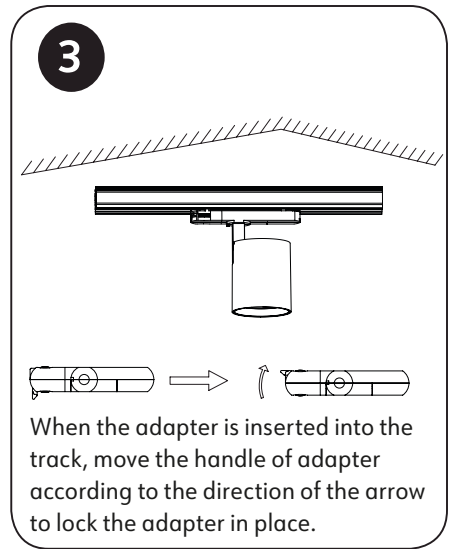
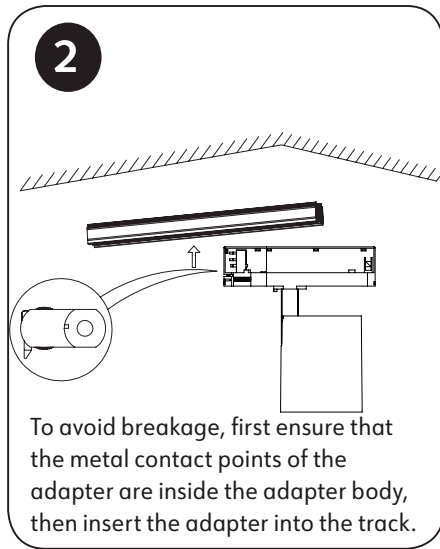
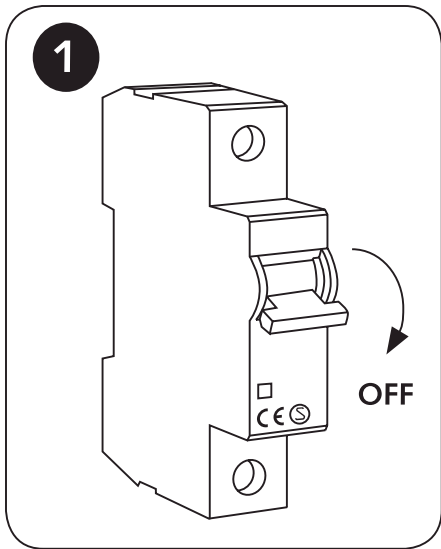


### ⚠ Safety Notes:

- The product must be installed, maintained, and operated as instructions below.
- Before starting installation of this product, make sure power supply is disconnected.
- Only to be installed by authorized electrician.
- Do not use abrasives or solvents when cleaning.
- Do not install the product if it appears damaged in any way. Check with manufacturer if in doubt.
- Do not modify this fitting in any matter as this will void warranty.
- Check protection class, if class I, it must be earthed.
- Disconnect power supply before maintenance or cleaning.

### ⚠ Sikkerhetsinformasjon:

- Følg installasjonsmanual for korrekt montering.
- Koble alltid fra strømmen før montering eller vedlikehold.
- Kan kun monteres av autorisert elektriker.
- Monter ikke produktet hvis det er synlig skade. Kontakt forhandler eller produsent.
- Bruk ikke løsemidler ved rengjøring
- Produktet skal ikke under noen omstendigheter endres eller modifiseres.
- Sjekk produktets isolasjonsklasse. Ved isolasjonsklasse I skal produktet jordes.



## INSTALLATION OF HONEYCOMB FILTER



**1** Twist to loosen the front ring and remove it from the lamp body



**2** Use a flat screwdriver to loosen the plastic ring



**3** Remove the reflector and the plastic ring.

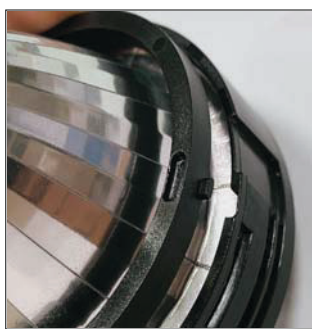
*Note: Do not remove the glass.*



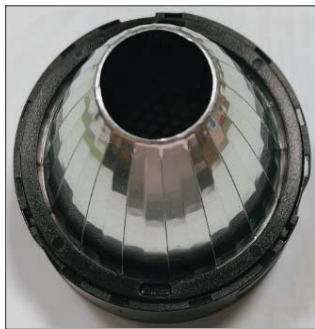
**4** Insert the honeycomb filter on top of the glass in the front ring housing



**5** Place the reflector on top of the honeycomb filter



**6** Flip the plastic ring upside down and place it on top of the reflector. Make sure that the three protruding points are fitted inside the slots.



**7** Use a flat screwdriver to lock the plastic ring in place.



**8** Reinstall the front ring into the housing