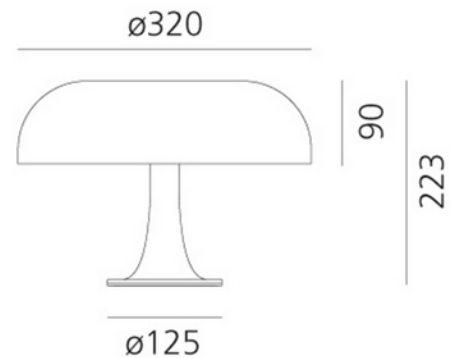


**PRODUCT DATA SHEET**

Nessino Orange

Art.no: 0039070A

*Lighting Solutions*

Nessino Orange



Body and diffuser in polycarbonate.

ELECTRICAL DATA	
Protection Class (system)	2
Voltage (system) [V]	230V 50Hz

TECHNICAL DATA	
IP (system)	IP20
Outdoor	No

PHOTOMETRIC DATA	
CCT (Color Temperature) (K)	3000
Lightsource Type	LED (replaceable)
Socket / Cap-Base	E14

**PRODUCT DATA SHEET**

Nessino Orange

Art.no: 0039070A

*Lighting Solutions*

DIMENSIONS	
Width (product) (mm)	320.0
Height (product) (mm)	223.0

MATERIALS AND SURFACES	
Color	Orange

INSTALLATION AND CONNECTION	
Areas of use	Cottage, Hotel, Residence
Mounting	Table
Connection (system)	Terminal

ENERGY AND CERTIFICATIONS	
CE mark	Yes