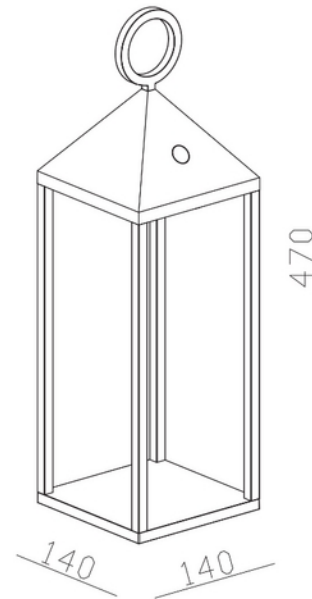


**PRODUCT DATA SHEET**

Specter 200lm 827 2,2W Touch Dim Chargeable IP54 GR 470mm
 Art.no: 101380-470-1

*Lighting Solutions*

Specter 200lm 827 2,2W Touch Dim Chargeable IP54 GR 470mm



Beautiful outdoor lamp for long summer nights! The fixture is produced in die-cast aluminium and powder coated to last outdoors. 9 hours work time and 5-7 charge time operated by 2 x 220mAh lithium battery. Dimmable by touch switch to create the atmosphere you like.

ELECTRICAL DATA	
Protection Class (system)	2
Dimming (system)	Touch dim
Voltage (system) [V]	230Vac / USB-C

TECHNICAL DATA	
IP (system)	IP54
Outdoor	Yes

PHOTOMETRIC DATA	
CRI / Ra (>=)	80

**PRODUCT DATA SHEET**

Specter 200lm 827 2,2W Touch Dim Chargeable IP54 GR 470mm

Art.no: 101380-470-1

*Lighting Solutions*

PHOTOMETRIC DATA	
CCT (Color Temperature) (K)	2700
Color Code	827
Lightsource Type	LED (built in)
Socket / Cap-Base	N/A

DIMENSIONS	
Length (product) (mm)	140.0
Width (product) (mm)	140.0
Height (product) (mm)	470.0

MATERIALS AND SURFACES	
Color	Grey

INSTALLATION AND CONNECTION	
Areas of use	Cafe, Cottage, Garden, Outdoor, Residence
Mounting	Ground
Connection (system)	USB-C

ENERGY AND CERTIFICATIONS	
Energy Class EPREL	F
CE mark	Yes