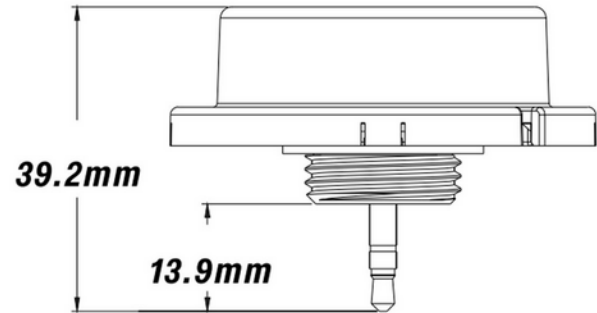




PRODUCT DATA SHEET
 NWC Plug in node IP66
 Art.no: 102551-NW-03



Lighting Solutions



NWC Plug in node IP66



This node is an advanced Bluetooth control node designed for seamless integration with Norlux Wireless Connect. With an enhanced antenna design, it achieves superior range of up to 100 meters, making it ideal for large installations. It is IP66 rated, ensuring robust protection against dust and water ingress, while the white finish is specifically designed to aesthetically blend into commercial indoor lighting luminaires. The casing is made of a polycarbonate material, providing exceptional durability and resistance to environmental degradation.

| TECHNICAL DATA | |
|--------------------|--------|
| IP (system) | IP66 |
| Outdoor | Yes |
| Type (accessories) | Sensor |

| CONTROL SYSTEM | |
|-------------------------|-------------|
| Norlux Wireless Connect | Implemented |
| System | NWC |

| DIMENSIONS | |
|-----------------------|------|
| Height (product) (mm) | 39.2 |



PRODUCT DATA SHEET
NWC Plug in node IP66
Art.no: 102551-NW-03



Lighting Solutions

| MATERIALS AND SURFACES | |
|------------------------|---------|
| Color | White |
| RAL Code | RAL9010 |

| ENERGY AND CERTIFICATIONS | |
|---------------------------|-----|
| CE mark | Yes |