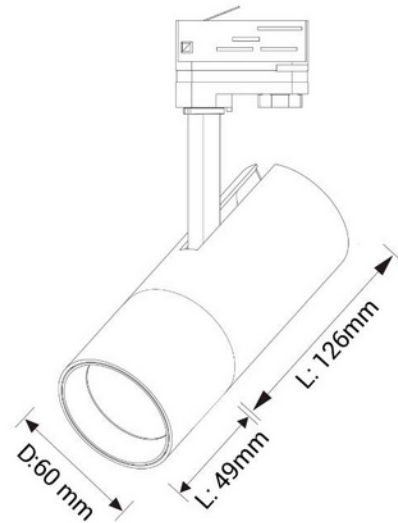


**PRODUCT DATA SHEET**

Cylinder 60 Spotskinnepakke X3, 2M, 2700K, sort

Art.no: 103430-02

*Lighting Solutions*

## Cylinder 60 Spotskinnepakke X3, 2M, 2700K, sort



| ELECTRICAL DATA           |           |
|---------------------------|-----------|
| Protection Class (system) | 1         |
| Dimming (system)          | Phase-Cut |

| TECHNICAL DATA |      |
|----------------|------|
| IP (system)    | IP20 |
| Outdoor        | Yes  |

| PHOTOMETRIC DATA            |                 |
|-----------------------------|-----------------|
| CRI / Ra (>=)               | 90              |
| CCT (Color Temperature) (K) | 2700            |
| Socket / Cap-Base           | N/A             |
| Lifetime (h)                | L80B20: 100 000 |

| DIMENSIONS           |      |
|----------------------|------|
| Width (product) (mm) | 60.0 |

**PRODUCT DATA SHEET**

Cylinder 60 Spotskinnepakke X3, 2M, 2700K, sort

Art.no: 103430-02

*Lighting Solutions***DIMENSIONS**

|                       |       |
|-----------------------|-------|
| Height (product) (mm) | 220.0 |
|-----------------------|-------|

**MATERIALS AND SURFACES**

|       |       |
|-------|-------|
| Color | Black |
|-------|-------|

**INSTALLATION AND CONNECTION**

|                     |                 |
|---------------------|-----------------|
| Connection (system) | Track 1-Circuit |
|---------------------|-----------------|

**ENERGY AND CERTIFICATIONS**

|         |     |
|---------|-----|
| CE mark | Yes |
|---------|-----|