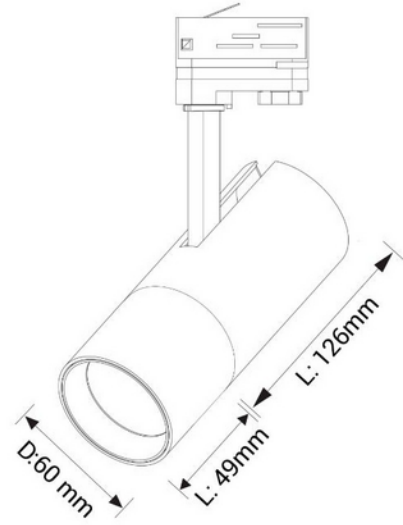


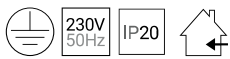
**PRODUCT DATA SHEET**

Cylinder 60 Spotskinnepakke X2, 1M, Dim-to-Warm, sort

Art.no: 103430-04

*Lighting Solutions*

Cylinder 60 Spotskinnepakke X2, 1M, Dim-to-Warm, sort



ELECTRICAL DATA	
Protection Class (system)	1
Dimming (system)	Phase-Cut
Voltage (system) [V]	230V 50Hz

TECHNICAL DATA	
IP (system)	IP20
Outdoor	No

PHOTOMETRIC DATA	
CRI / Ra (>=)	95
CCT (Color Temperature) (K)	3000-1800K D2W
Color Code	930
Lightsource Type	LED (built in)

**PRODUCT DATA SHEET**

Cylinder 60 Spotskinnepakke X2, 1M, Dim-to-Warm, sort
Art.no: 103430-04



Lighting Solutions

PHOTOMETRIC DATA	
Socket / Cap-Base	N/A
Lens (Diffuser)	Clear
Lifetime (h)	L80B10: 100 000

DRIVER	
Manufacturer (driver)	AcTEC
Protection Class (driver)	2
Max Output Voltage (V)	55
Dimming Minimum Level (%)	5.0

DIMENSIONS	
Width (product) (mm)	60.0
Height (product) (mm)	220.0

MATERIALS AND SURFACES	
Color	Black

INSTALLATION AND CONNECTION	
Connection (system)	Track 1-Circuit