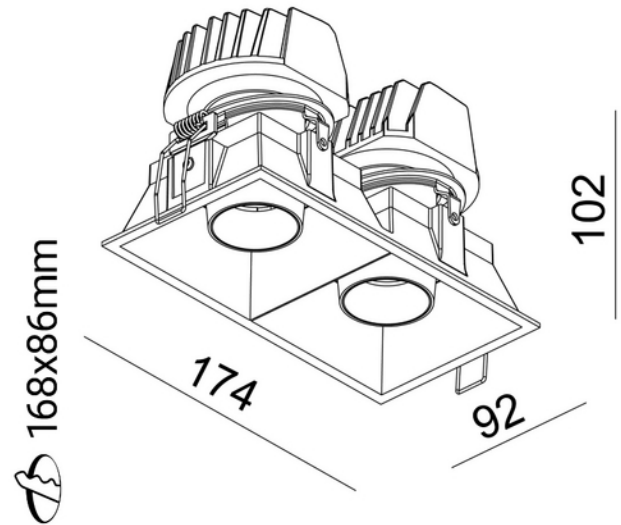


**PRODUCT DATA SHEET**

Make Double D2W 2x45-950lm 930-919 34° 2x9,4W WH w/o driver

Art.no: 11080-2-D2W-34-3

*Lighting Solutions*

Make Double D2W 2x45-950lm 930-919 34° 2x9,4W WH w/o driver



ELECTRICAL DATA	
Protection Class (system)	3
Dimming (system)	Depending on Driver
Voltage (system) [V]	230V 50Hz

TECHNICAL DATA	
IP (system)	IP20
Outdoor	No

PHOTOMETRIC DATA	
CRI / Ra (>=)	90
CCT (Color Temperature) (K)	3000-1800K D2W

**PRODUCT DATA SHEET**

Make Double D2W 2x45-950lm 930-919 34° 2x9,4W WH w/o driver
Art.no: 11080-2-D2W-34-3



Lighting Solutions

PHOTOMETRIC DATA	
Color Code	930-919
Lightsource Type	LED (built in)
Socket / Cap-Base	N/A
Lens (Diffuser)	Clear
Manufacturer (light source)	Prolight
Forward Current LED (min-max) (mA)	null - 500

DIMENSIONS	
Length (product) (mm)	174.0
Width (product) (mm)	92.0
Height (product) (mm)	107.0
Weight (product) (kg)	0.749

MATERIALS AND SURFACES	
Color	White

INSTALLATION AND CONNECTION	
Areas of use	Cottage, Hotel, Kitchen, Residence, Showroom
Mounting	Recessed, Ceiling
Connection (system)	Depending on driver

ENERGY AND CERTIFICATIONS	
CE mark	Yes