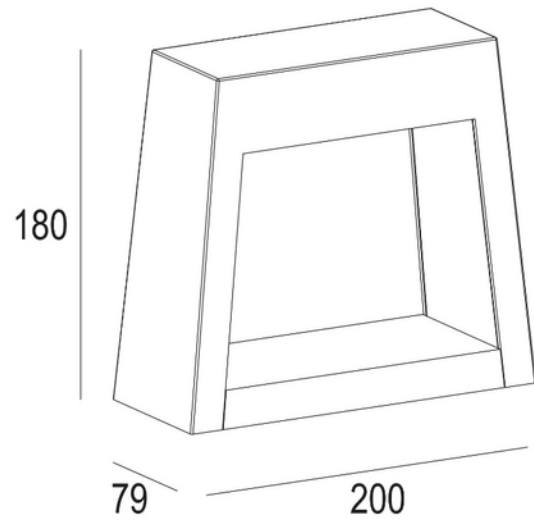
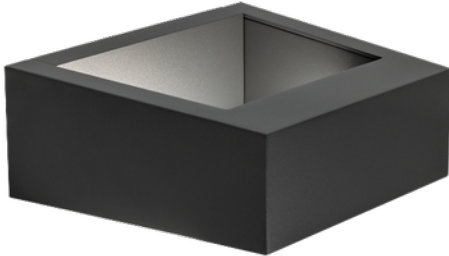


**PRODUCT DATA SHEET**

Eos 650lm 830 22° 18W Antracite IP65

Art.no: 1351-28-5

*Lighting Solutions*

## Eos 650lm 830 22° 18W Antracite IP65

**A**

ELECTRICAL DATA	
Protection Class (system)	1
Dimming (system)	None
Voltage (system) [V]	230V 50Hz

TECHNICAL DATA	
IK (system)	IK05
IP (system)	IP65
Outdoor	Yes

PHOTOMETRIC DATA	
CRI / Ra (>=)	80
CCT (Color Temperature) (K)	3000
Color Code	830

**PRODUCT DATA SHEET**

Eos 650lm 830 22° 18W Antracite IP65

Art.no: 1351-28-5

*Lighting Solutions*

PHOTOMETRIC DATA	
Lightsource Type	LED (built in)
Socket / Cap-Base	N/A
Lens (Diffuser)	Clear
Lifetime (h)	100 000
MacAdam (SDCM)	4

DIMENSIONS	
Length (product) (mm)	200.0
Width (product) (mm)	180.0
Height (product) (mm)	79.0

MATERIALS AND SURFACES	
Color	Antracite

INSTALLATION AND CONNECTION	
Areas of use	Outdoor
Mounting	Wall, Ceiling
Connection (system)	Terminal

ENERGY AND CERTIFICATIONS	
CE mark	Yes
Energy Efficiency Class	A