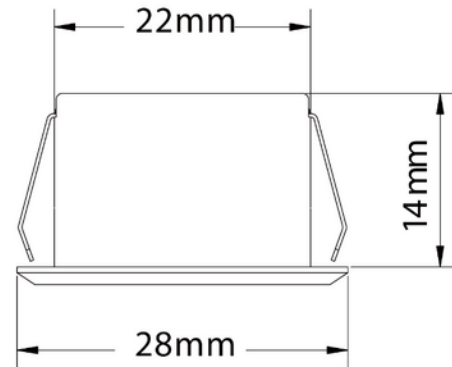


**PRODUCT DATA SHEET**

Capella 150lm 827 45° 1,1W WH 2m cable w/o driver

Art.no: 2173-45-3

*Lighting Solutions*

## Capella 150lm 827 45° 1,1W WH 2m cable w/o driver



Mini downlight for mounting in window niches and cabinets. Includes 2m cable with quickconnect. Extension cables, connector box and front ring are available as accessories. Connects to 350mA LED driver (bought separately). Voltage 2,9-3,3V pr luminaire. Driver must be calculated with regards to voltage (because in series) and power. Both phasecut and DALI-driver can be used as on/off driver (without dimming). On/ Off driver (LED to be wired in serial): 1-17 pcs Q4-350mA-20W-01 Driver 350mA cc (2-58V) 20W IP20 w/3m cable Euro-plug WH Phasecut driver (LED to be wired in serial): 2-3 pcs MINID35004NT Driver 350mA cc 4W (6-12V) Phasecut Mini AcTec 5-8 pcs D35009NT Driver 350mA 9W (13-26V) Phasecut AcTec 6-15 pcs DIM350MA/18W Driver 350mA cc 18W 15-52V PhaseCut-dim AcTEC 8-12 pcs 87500386 Driver 350mA cc(21-42V) LCBI 15W 350mA Basic Phasecut SR ADV 9-15 pcs D35018NT Driver 350mA 18W (26-52V) Phasecut AcTec DALI driver (LED to be wired in serial): 2-16 pcs LCM-25DA Driver 350/500/600/700/900/1050mA cc 25W DALI/Push MeanWell 1-22 pcs 127413 Driver 350-1050mA cc 48V 60W MAXI JOLLY AM/PWM US DALI2 TCI 1-30 pcs LCM-40D Driver 350/500/600/700/900/1050mA cc 40W DALI/Push MeanWell

**ELECTRICAL DATA**

Protection Class (system)	3
Dimming (system)	Depending on Driver

**TECHNICAL DATA**

IP (system)	IP44
Outdoor	No

**PRODUCT DATA SHEET**

Capella 150lm 827 45° 1,1W WH 2m cable w/o driver

Art.no: 2173-45-3

*Lighting Solutions*

TECHNICAL DATA	
Operating temperature (°C)	-20 - 40

PHOTOMETRIC DATA	
Efficacy (system) (lm/W)	118
CRI / Ra (>=)	80
CCT (Color Temperature) (K)	2700
Color Code	827
Lightsource Type	LED (built in)
Socket / Cap-Base	N/A
Lens (Diffuser)	Clear
Lifetime (h)	L80B10: 100 000
MacAdam (SDCM)	2
Manufacturer (light source)	Philips
Forward Voltage LED (max tp=25) (V)	3.2
Driftspenning LED (min tp=65) (V)	2.8

DIMENSIONS	
Length (product) (mm)	22.0
Width (product) (mm)	28.0
Height (product) (mm)	14.0

MATERIALS AND SURFACES	
Color	White

INSTALLATION AND CONNECTION	
Areas of use	Cottage, Kitchen, Residence, Staircase
Mounting	Recessed, Floor, Furnishings, Furniture
Connection (system)	Mini connector 2m

ENERGY AND CERTIFICATIONS	
CE mark	Yes
Energy Efficiency Class	A++



**PRODUCT DATA SHEET**

Capella 150lm 827 45° 1,1W WH 2m cable w/o driver

Art.no: 2173-45-3



*Lighting Solutions*

**LIGHT DISTRIBUTION**

