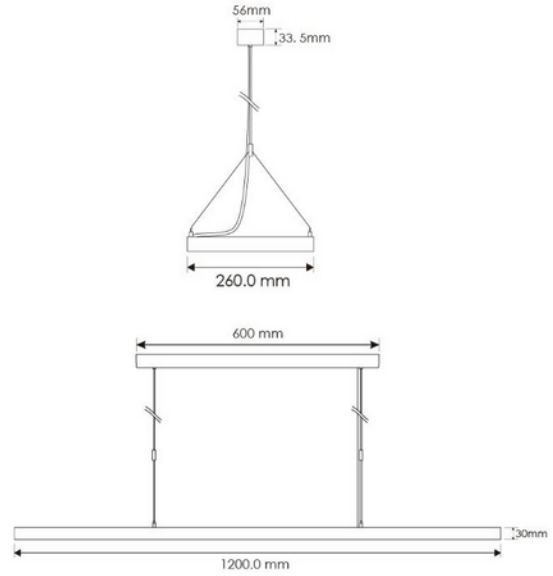


**PRODUCT DATA SHEET**

Maia 6000lm 830 75° 60W Silver DALI  
 Art.no: 2180-120-1-ddd

*Lighting Solutions*

## Maia 6000lm 830 75° 60W Silver DALI



Maia Square are a modern office luminaire with microprism diffuser and UGR<19. 90°(direct) and 110°(indirect) light.  
 Maia made of aluminum with PMMA diffuser, delivered with DALI driver.

ELECTRICAL DATA	
Protection Class (system)	1
Dimming (system)	DALI2
Voltage (system) [V]	230V 50Hz

TECHNICAL DATA	
IK (system)	IK08
IP (system)	IP20
Outdoor	No
Operating temperature (°C)	-25 - 45

**PRODUCT DATA SHEET**

Maia 6000lm 830 75° 60W Silver DALI

Art.no: 2180-120-1-ddd

*Lighting Solutions*

PHOTOMETRIC DATA	
Efficacy (system) (lm/W)	108
CRI / Ra (>=)	80
CCT (Color Temperature) (K)	3000
Color Code	830
Lightsource Type	LED (built in)
Socket / Cap-Base	N/A
Lens (Diffuser)	Micropris.
Lifetime (h)	L80: 100 000
MacAdam (SDCM)	3
UGR (<=)	19
Manufacturer (light source)	Edison
Forward Current LED (min-max) (mA)	200 - null
Forward Voltage LED (max tp=25) (V)	3.3
Driftspenning LED (min tp=65) (V)	2.9

DRIVER	
Manufacturer (driver)	Boke
Protection Class (driver)	1
Standby power P <sub>sb</sub> (W) <	0.5
Flicker metric (P <sub>st</sub> LM) <	0.0
Stroboscopic effect metric (SVM) <	0.004
Max Output Voltage (V)	35
Dimming (driver)	DALI2
Dimming Minimum Level (%)	1.0
Dimming output type	Amplitude Modulation
IP (driver)	IP20
Expected Lifetime (driver) (h)	100000
Flicker-free	Yes
Constant current or voltage (CC or CV)	CC
CC (driver) [mA]	1300 - 2000
CC (forward voltage driver) (V)	3.0 - 35.0
Output Current Tolerance (%)	2.0
Current Ripple (%)	2.0
Max load pr circuit - B10	20
Max load pr circuit - B16	32

**PRODUCT DATA SHEET**

Maia 6000lm 830 75° 60W Silver DALI

Art.no: 2180-120-1-ddd

*Lighting Solutions*

DRIVER	
Max load pr circuit - C10	20
Max load pr circuit - C16	32
Max load pr circuit - C20	40
Max load pr circuit - C25	50
Leakage current (mA)	0.7
Inrush current time (µs)	214.0
Inrush current I <sub>max</sub> (A)	8.5

DIMENSIONS	
Length (product) (mm)	1200.0
Width (product) (mm)	260.0
Height (product) (mm)	30.0
Weight (product) (kg)	23.5

MATERIALS AND SURFACES	
Color	Silver
RAL Code	RAL9006
Housing Material	Aluminium
Diffuser Material	Polystyrene

INSTALLATION AND CONNECTION	
Connection (system)	Terminal

ENERGY AND CERTIFICATIONS	
Energy Class EPREL	E
CE mark	Yes
Energy Efficiency Class	A++ - A



**PRODUCT DATA SHEET**

Maia 6000lm 830 75° 60W Silver DALI

Art.no: 2180-120-1-ddd



*Lighting Solutions*

**LIGHT DISTRIBUTION**

