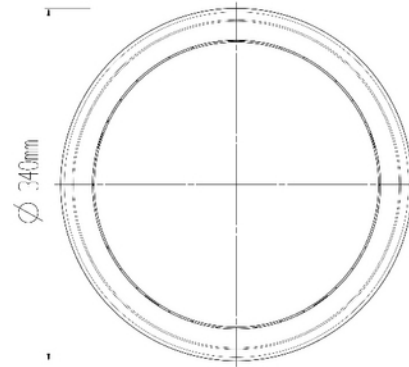
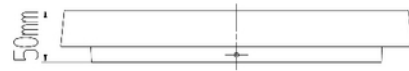


**PRODUCT DATA SHEET**

Ancha Round 2500lm 830 110° 30W Dark Grey Quickconnect

Art.no: 2350-110-7

*Lighting Solutions*

Ancha Round 2500lm 830 110° 30W Dark Grey Quickconnect



ELECTRICAL DATA	
Protection Class (system)	1
Dimming (system)	None
Voltage (system) [V]	230V 50Hz

TECHNICAL DATA	
IK (system)	IK08
IP (system)	IP54
Outdoor	Yes
Operating temperature (°C)	-20 - 50

PHOTOMETRIC DATA	
Efficacy (system) (lm/W)	82
CRI / Ra (>=)	80

**PRODUCT DATA SHEET**

Ancha Round 2500lm 830 110° 30W Dark Grey Quickconnect

Art.no: 2350-110-7

*Lighting Solutions*

PHOTOMETRIC DATA	
CCT (Color Temperature) (K)	3000
Color Code	830
Lightsource Type	LED (built in)
Socket / Cap-Base	N/A
Lens (Diffuser)	Opal
Forward Voltage LED (max tp=25) (V)	43.0
Driftspenning LED (min tp=65) (V)	39.0

DRIVER	
Protection Class (driver)	2
IP (driver)	IP20
Constant current or voltage (CC or CV)	CC
CC (driver) [mA]	700 - null
CC (forward voltage driver) (V)	28.0 - 42.0
Output Current Tolerance (%)	5.0
Current Ripple (%)	280.0
Max load pr circuit - B10	26
Max load pr circuit - B16	42
Max load pr circuit - C10	44
Max load pr circuit - C16	71
Leakage current (mA)	0.5
Inrush current time (µs)	125.0
Inrush current I _{max} (A)	10.0

DIMENSIONS	
Width (product) (mm)	340.0
Height (product) (mm)	50.0
Weight (product) (kg)	1.77

MATERIALS AND SURFACES	
Color	Dark Grey

INSTALLATION AND CONNECTION	
Areas of use	Generally, Outdoor
Mounting	Surface, Wall, Ceiling



PRODUCT DATA SHEET

Ancha Round 2500lm 830 110° 30W Dark Grey Quickconnect

Art.no: 2350-110-7



Lighting Solutions

INSTALLATION AND CONNECTION	
Connection (system)	QuickConnect

ENERGY AND CERTIFICATIONS	
CE mark	Yes
Energy Efficiency Class	A+

LIGHT DISTRIBUTION

