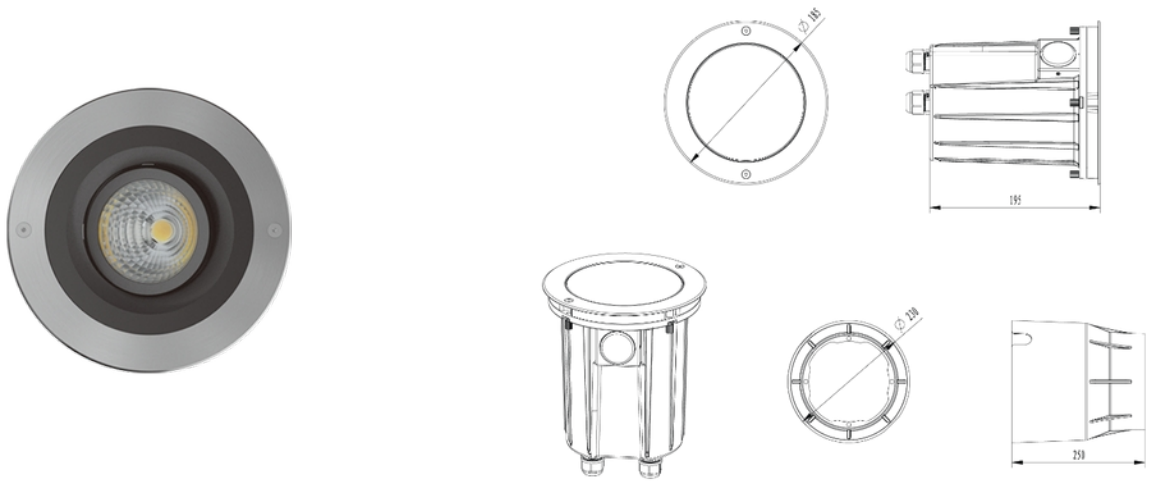


**PRODUCT DATA SHEET**

Heka 1050lm 830 30° 15W Brushed Steel Phasecut

Art.no: 2560-30-1

*Lighting Solutions*

Heka 1050lm 830 30° 15W Brushed Steel Phasecut



ELECTRICAL DATA	
Protection Class (system)	1
Dimming (system)	Phase-Cut
Voltage (system) [V]	230V 50Hz

TECHNICAL DATA	
IK (system)	IK10
IP (system)	IP67
Outdoor	Yes
Operating temperature (°C)	-20 - 50

PHOTOMETRIC DATA	
CRI / Ra (>=)	80
CCT (Color Temperature) (K)	3000

**PRODUCT DATA SHEET**

Heka 1050lm 830 30° 15W Brushed Steel Phasecut

Art.no: 2560-30-1

*Lighting Solutions*

PHOTOMETRIC DATA	
Color Code	830
Socket / Cap-Base	N/A
Lens (Diffuser)	Clear
Lifetime (h)	30 000
MacAdam (SDCM)	3
Manufacturer (light source)	Lumens

DRIVER	
Output Current Tolerance (%)	8.0
Current Ripple (%)	20.0
Max load pr circuit - B10	49
Max load pr circuit - B16	80
Max load pr circuit - C10	80
Max load pr circuit - C16	135
Leakage current (mA)	5.0
Inrush current time (µs)	350.0
Inrush current I _{max} (A)	80.0

DIMENSIONS	
Width (product) (mm)	230.0
Height (product) (mm)	250.0
Weight (product) (kg)	3.5

MATERIALS AND SURFACES	
Color	Brushed Steel

INSTALLATION AND CONNECTION	
Areas of use	Cottage, Garden, Generally, Hotel, Open access areas, Outdoor, Residence
Mounting	Recessed, Ground
Connection (system)	Cable 2m

ENERGY AND CERTIFICATIONS	
CE mark	Yes
Energy Efficiency Class	A



PRODUCT DATA SHEET

Heka 1050lm 830 30° 15W Brushed Steel Phasecut

Art.no: 2560-30-1



Lighting Solutions