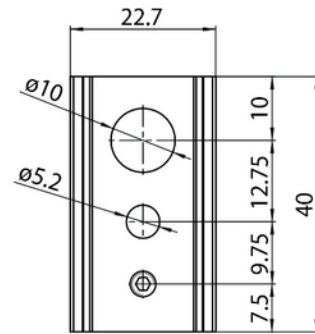


**PRODUCT DATA SHEET**Track Evo 48V ST2 Short bracket for suspension Alu
Art.no: 9500-313-LA-1*Lighting Solutions*

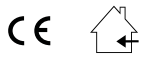
M4x6



M4x12



Track Evo 48V ST2 Short bracket for suspension Alu



Aluminium bracket short for wire installation ST2

TECHNICAL DATA	
Outdoor	No

DIMENSIONS	
Length (product) (mm)	40.0
Width (product) (mm)	22.7
Height (product) (mm)	5.9

MATERIALS AND SURFACES	
Color	Aluminium
Housing Material	Aluminium

ENERGY AND CERTIFICATIONS	
CE mark	Yes



PRODUCT DATA SHEET

Track Evo 48V ST2 Short bracket for suspension Alu

Art.no: 9500-313-LA-1



Lighting Solutions