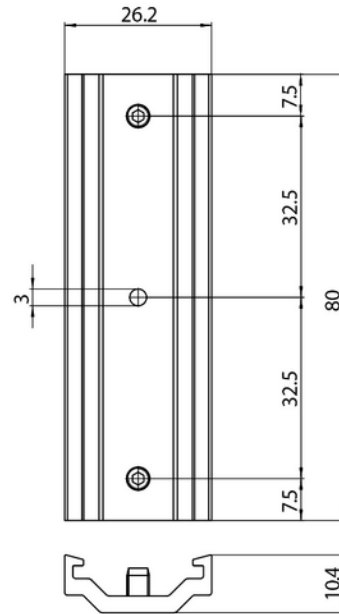


**PRODUCT DATA SHEET**

Track EVO 48V ST1 long pendant bracket for suspensions BK

Art.no: 9500-322-SV-2

*Lighting Solutions*

Track EVO 48V ST1 long pendant bracket for suspensions BK



Black long bracket for wire installation

TECHNICAL DATA	
Outdoor	No

DIMENSIONS	
Length (product) (mm)	80.0
Width (product) (mm)	26.2
Height (product) (mm)	10.4

MATERIALS AND SURFACES	
Color	Black
RAL Code	RAL9005
Housing Material	Aluminium



PRODUCT DATA SHEET

Track EVO 48V ST1 long pendant bracket for suspensions BK

Art.no: 9500-322-SV-2



Lighting Solutions

ENERGY AND CERTIFICATIONS

CE mark	Yes
---------	-----