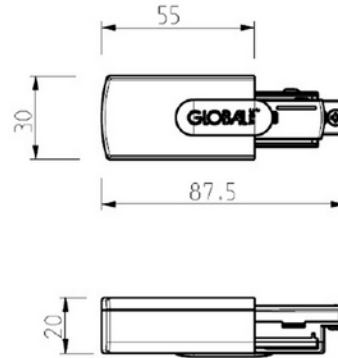


**PRODUCT DATA SHEET**

Global Base End Feed 1-circuit Right GR

Art.no: GB12-1

*Lighting Solutions*

## Global Base End Feed 1-circuit Right GR

**TECHNICAL DATA**

Track Subgroup	End Feed Right
----------------	----------------

**PHOTOMETRIC DATA**

Dimmable (light source)	No
-------------------------	----

**DIMENSIONS**

Length (product) (mm)	85.0
Width (product) (mm)	22.0
Height (product) (mm)	20.0
Weight (product) (kg)	0.01

**MATERIALS AND SURFACES**

Color	Grey
RAL Code	AW202JR



**PRODUCT DATA SHEET**

Global Base End Feed 1-circuit Right GR

Art.no: GB12-1



*Lighting Solutions*