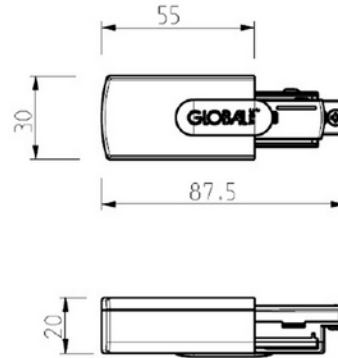


**PRODUCT DATA SHEET**

Global Base End Feed 1-circuit Right BK

Art.no: GB12-2

*Lighting Solutions*

Global Base End Feed 1-circuit Right BK

TECHNICAL DATA

Track Subgroup	End Feed Right
----------------	----------------

PHOTOMETRIC DATA

Dimmable (light source)	No
-------------------------	----

DIMENSIONS

Length (product) (mm)	85.0
Width (product) (mm)	22.0
Height (product) (mm)	20.0
Weight (product) (kg)	0.01

MATERIALS AND SURFACES

Color	Black
RAL Code	RAL9005



PRODUCT DATA SHEET

Global Base End Feed 1-circuit Right BK

Art.no: GB12-2



Lighting Solutions