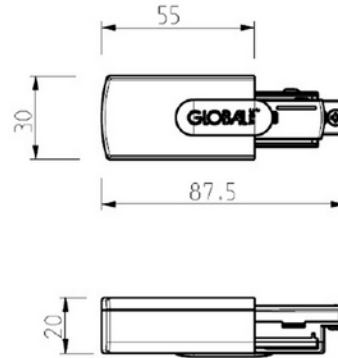


**PRODUCT DATA SHEET**

Global Base End Feed 1-circuit Right WH

Art.no: GB12-3

*Lighting Solutions*

Global Base End Feed 1-circuit Right WH

TECHNICAL DATA

Track Subgroup	End Feed Right
----------------	----------------

PHOTOMETRIC DATA

Dimmable (light source)	No
-------------------------	----

DIMENSIONS

Length (product) (mm)	85.0
Width (product) (mm)	22.0
Height (product) (mm)	20.0
Weight (product) (kg)	0.01

MATERIALS AND SURFACES

Color	White
RAL Code	RAL9010



PRODUCT DATA SHEET

Global Base End Feed 1-circuit Right WH

Art.no: GB12-3



Lighting Solutions