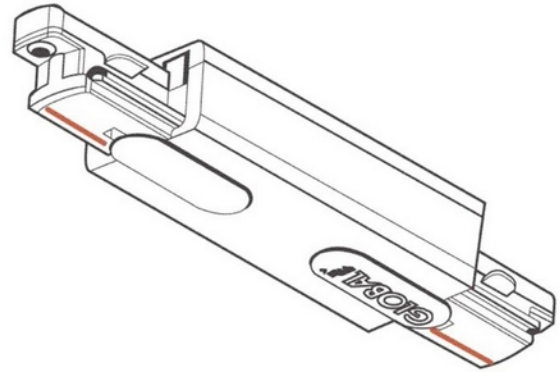




PRODUCT DATA SHEET
Global Base Middle Feed 1-circuit GR
Art.no: GB14-1



Lighting Solutions



Global Base Middle Feed 1-circuit GR

| MATERIALS AND SURFACES | |
|------------------------|---------|
| Color | Grey |
| RAL Code | AW202JR |