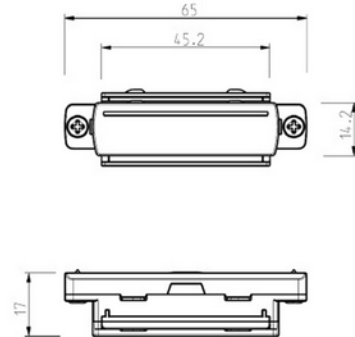


**PRODUCT DATA SHEET**

Global Base Straight Connector 1-circuit BK

Art.no: GB21-2

*Lighting Solutions*

Global Base Straight Connector 1-circuit BK

TECHNICAL DATA

Track Subgroup	Straight Connector
----------------	--------------------

PHOTOMETRIC DATA

Dimmable (light source)	No
-------------------------	----

DIMENSIONS

Length (product) (mm)	650.0
Width (product) (mm)	20.0
Height (product) (mm)	20.0
Weight (product) (kg)	0.01

MATERIALS AND SURFACES

Color	Black
RAL Code	RAL9005



PRODUCT DATA SHEET

Global Base Straight Connector 1-circuit BK

Art.no: GB21-2



Lighting Solutions