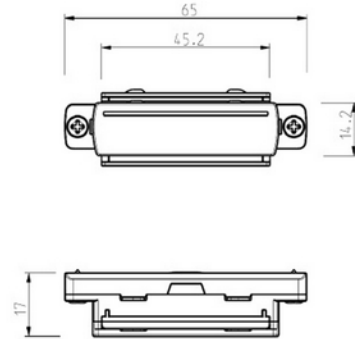


**PRODUCT DATA SHEET**

Global Base Straight Connector 1-circuit WH

Art.no: GB21-3

*Lighting Solutions*

## Global Base Straight Connector 1-circuit WH

**TECHNICAL DATA**

Track Subgroup	Straight Connector
----------------	--------------------

**PHOTOMETRIC DATA**

Dimmable (light source)	No
-------------------------	----

**DIMENSIONS**

Length (product) (mm)	650.0
Width (product) (mm)	20.0
Height (product) (mm)	20.0
Weight (product) (kg)	0.01

**MATERIALS AND SURFACES**

Color	White
RAL Code	RAL9010



**PRODUCT DATA SHEET**  
Global Base Straight Connector 1-circuit WH  
Art.no: GB21-3



*Lighting Solutions*