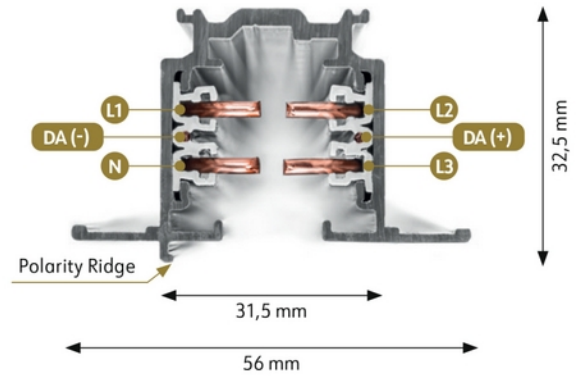


**PRODUCT DATA SHEET**

Global Pulse Track Recessed 3-circuit 3m WH

Art.no: XTSCF6300-3

*Lighting Solutions*

Global Pulse Track Recessed 3-circuit 3m WH



The recessed version of GLOBAL Trac Pulse for suspended ceilings. GLOBAL Trac Pulse control is a lighting track system that includes both normal input voltage and wires for transmitting the control signal to the lights. This makes it possible to use smart control systems without central units. Of these, the DALI, DMX, LON and EIB standards are the most widely known. Various manufacturers provide control units, detectors and fixtures for the control systems. All control systems share the same goal: to transmit the control signal to individual lights using the GLOBAL Trac Pulse control's wires and to create dynamic lighting.

| ELECTRICAL DATA | |
|----------------------|-----------|
| Voltage (system) [V] | 400V 50Hz |
| Power (track) (kVA) | 11.1 |
| Circuits | 3-circuit |
| Current (A) | 16 |

| TECHNICAL DATA | |
|-------------------|-------|
| Outdoor | No |
| Pull strength (N) | 100.0 |

**PRODUCT DATA SHEET**

Global Pulse Track Recessed 3-circuit 3m WH

Art.no: XTSCF6300-3

*Lighting Solutions***TECHNICAL DATA**

| | |
|--------------|-------------------|
| Track Family | Global Trac Pulse |
|--------------|-------------------|

DIMENSIONS

| | |
|-----------------------|--------|
| Length (product) (mm) | 3000.0 |
| Width (product) (mm) | 56.0 |
| Height (product) (mm) | 32.5 |
| Weight (product) (kg) | 2.92 |

MATERIALS AND SURFACES

| | |
|------------------|-----------|
| Color | White |
| RAL Code | RAL9010 |
| Housing Material | Aluminium |

INSTALLATION AND CONNECTION

| | |
|--------------|--|
| Areas of use | Generally, Hotel, Museum, Restaurant, Shop |
| Mounting | Recessed |

ENERGY AND CERTIFICATIONS

| | |
|---------|-----|
| CE mark | Yes |
|---------|-----|