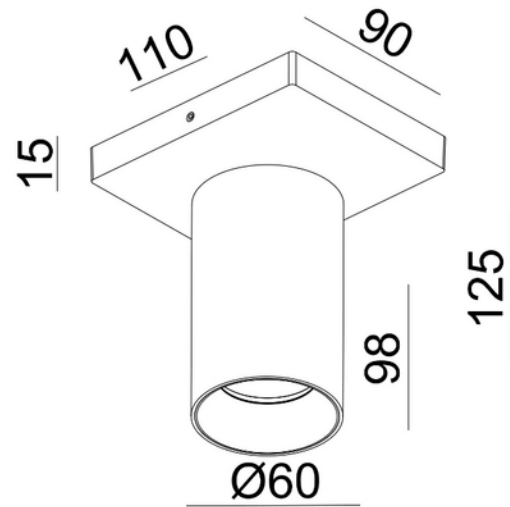


**PRODUCT DATA SHEET**

Tania Mini S1 GU10 max 7,5W led WH

Art.no: 101081-3

*Lighting Solutions*

## Tania Mini S1 GU10 max 7,5W led WH



Small spotlight in modern and contemporary design for surface mounting. Delivered in both black and white version. Gold front ring can be purchased separately.

ELECTRICAL DATA	
Protection Class (system)	1
Dimming (system)	Light bulb dependent
Voltage (system) [V]	230V 50Hz

TECHNICAL DATA	
IP (system)	IP20
Outdoor	No

PHOTOMETRIC DATA	
Lightsource Type	Lightsource not included
Socket / Cap-Base	GU10

**PRODUCT DATA SHEET**

Tania Mini S1 GU10 max 7,5W led WH

Art.no: 101081-3

*Lighting Solutions*

DIMENSIONS	
Length (product) (mm)	110.0
Width (product) (mm)	90.0
Height (product) (mm)	125.0
Weight (product) (kg)	0.3

MATERIALS AND SURFACES	
Color	White

INSTALLATION AND CONNECTION	
Areas of use	Cottage, Hotel, Residence
Mounting	Surface, Ceiling
Connection (system)	Terminal

ENERGY AND CERTIFICATIONS	
CE mark	Yes