

ART. NO.

103440-100-3-ddd

NORLUX®*Lighting Solutions*

Circle S440

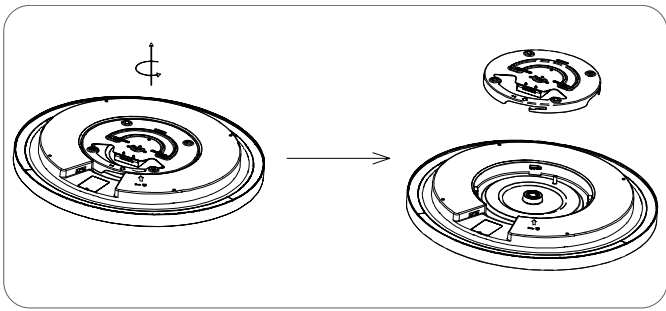
INSTALLATION MANUAL

**⚠ Safety Notes:**

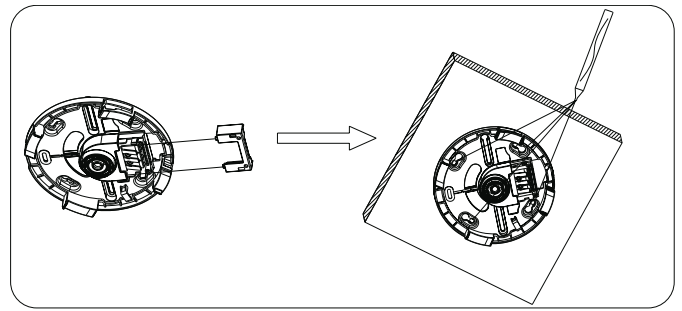
- The product must be installed, maintained, and operated as instructions below.
- Before starting installation of this product, make sure power supply is disconnected.
- Only to be installed by authorized electrician.
- Do not use abrasives or solvents when cleaning.
- Do not install the product if it appears damaged in any way. Check with manufacturer if in doubt.
- Do not modify this fitting in any matter as this will void warranty.
- Check protection class, if class I, it must be earthed.
- Disconnect power supply before maintenance or cleaning.

⚠ Sikkerhetsinformasjon:

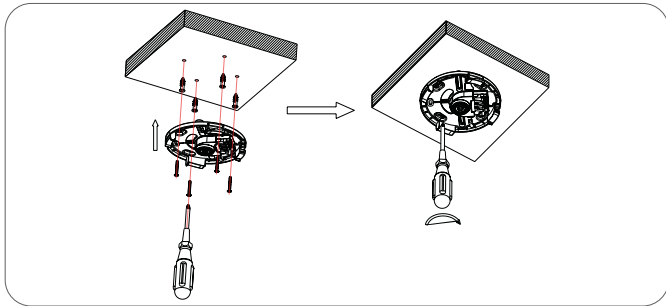
- Følg installasjonsmanual for korrekt montering.
- Koble alltid fra strømmen før montering eller vedlikehold.
- Kan kun monteres av autorisert elektriker.
- Monter ikke produktet hvis det er synlig skade. Kontakt forhandler eller produsent.
- Bruk ikke løsemidler ved rengjøring
- Produktet skal ikke under noen omstendigheter endres eller modifiseres.
- Sjekk produktets isolasjonsklasse. Ved isolasjonsklasse I skal produktet jordes.



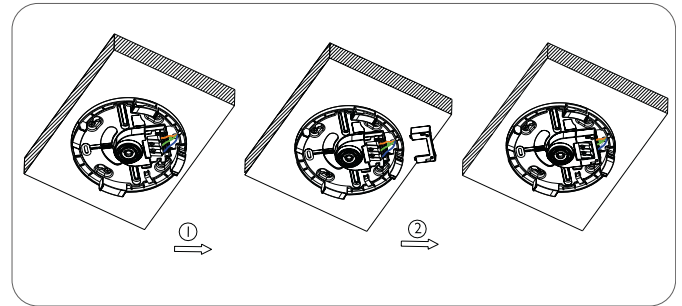
1. Apply slight downward pressure and rotate the back assembly plate counterclockwise until it reaches the designated position.



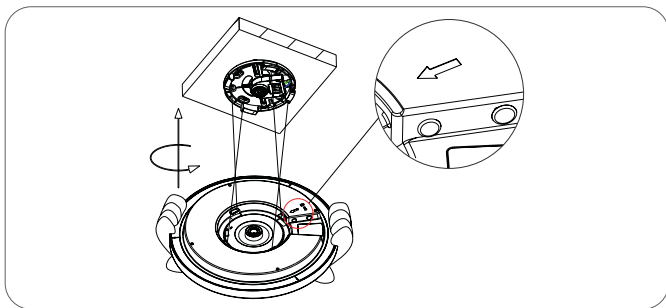
2. Remove the terminal cover and mark the installation holes.



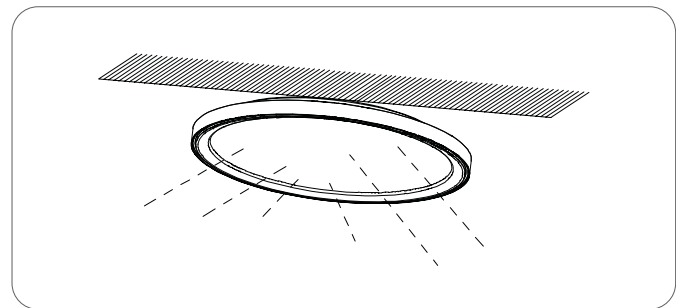
3. Please fix back assembly plate in the ceiling.



4. Connect the 230V cable to the terminal, close the terminal cover.



5. Place the luminaire at the center of the back assembly plate. Then rotate the lamp clockwise until the back assembly plate is fully engaged.



6. Turn on the light.