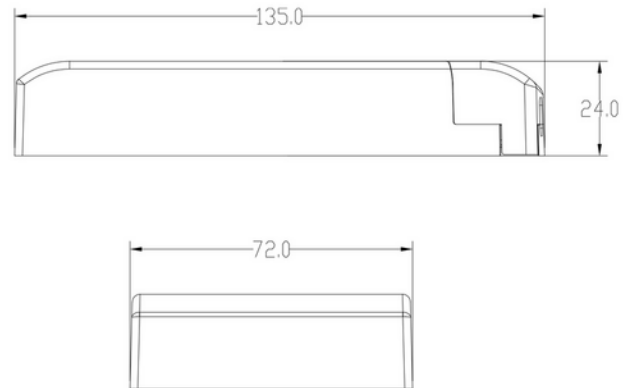


**PRODUCT DATA SHEET**

Driver DALI 900mA Panel max 45W 18i5 DALI/EPN0034

Art.no: 0300-25

*Lighting Solutions*

## Driver DALI 900mA Panel max 45W 18i5 DALI/EPN0034



DALI2 og push-dim driver for Panel Max 45W Change from 350mA til 900mA with DIP switch (default 900mA) Primary side 18i5 male kobling Secondary side EPN0034 kobling

ELECTRICAL DATA	
Protection Class (system)	2
Dimming (system)	DALI2, Push
Voltage (system) [V]	230V 50Hz

TECHNICAL DATA	
IP (system)	IP20
Outdoor	No
Connection 1	18i5 DALI male
Connection 2	EPN0034 female

**PRODUCT DATA SHEET**

Driver DALI 900mA Panel max 45W 18i5 DALI/EPN0034

Art.no: 0300-25

*Lighting Solutions*

<b>DRIVER</b>	
Manufacturer (driver)	AcTEC
Protection Class (driver)	2
Standby power Psb (W) <	0.5
Flicker metric (Pst LM) <	1.0
Stroboscopic effect metric (SVM) <	0.4
Max Output Voltage (V)	80
Dimming (driver)	DALI2
Dimming Minimum Level (%)	1.0
Dimming output type	Amplitude Modulation
IP (driver)	IP20
Expected Lifetime (driver) (h)	50000
Constant current or voltage (CC or CV)	CC
CC (driver) [mA]	350 - 1050
Current setting (driver)	DIP-switch
CC (forward voltage driver) (V)	25.0 - 70.0
Output Current Tolerance (%)	5.0
Current Ripple (%)	20.0
Max load pr circuit - B10	13
Max load pr circuit - B16	20
Max load pr circuit - C10	27
Max load pr circuit - C16	35
Max load pr circuit - C20	44
Leakage current (mA)	0.7
Inrush current time ( $\mu$ s)	100.0
Inrush current I <sub>max</sub> (A)	20.0

<b>DIMENSIONS</b>	
Length (product) (mm)	140.0
Width (product) (mm)	70.0
Height (product) (mm)	27.0
Weight (product) (kg)	0.25

<b>ENERGY AND CERTIFICATIONS</b>	
CE mark	Yes



**PRODUCT DATA SHEET**

Driver DALI 900mA Panel max 45W 18i5 DALI/EPN0034

Art.no: 0300-25



*Lighting Solutions*