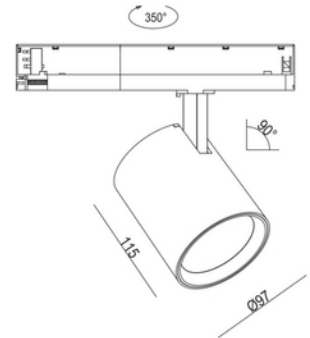
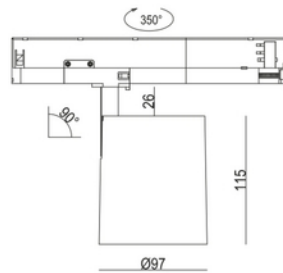
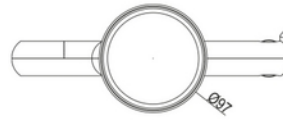


**FDV DOCUMENTATION**

Rod Maxi C 4800lm 935 20° 27W BK 3-circuit

Art.no: 102322-20-2

*Lighting Solutions*

Rod Maxi C 4800lm 935 20° 27W BK 3-circuit



SPECIFICATIONS	
Type of Dimming (system)	None
IK	IK02
Operating temperature (°C)	45
Color Code	935
Lightsource Type	LED (built in)
Lifetime (h)	L80B10: 100 000
MacAdam (SDCM)	3
Protection Class (driver)	2
Constant current or voltage (CC or CV)	CC
CC (driver) [mA]	1050
CC (forward voltage driver) (V)	42.0
Inrush current time (µs)	68.0
Inrush current I _{max} (A)	1.86

**FDV DOCUMENTATION**

Rod Maxi C 4800lm 935 20° 27W BK 3-circuit

Art.no: 102322-20-2

*Lighting Solutions*

SPECIFICATIONS	
Height (product) (mm)	115.0
Diameter (product) (mm)	97.0
Color	Black
RAL Code	RAL9005
Mounting	Track, Ceiling
Connection (system)	Track 3-Circuit

LIGHT DISTRIBUTION