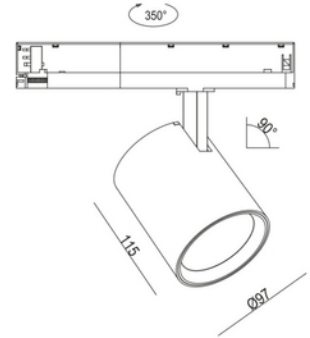
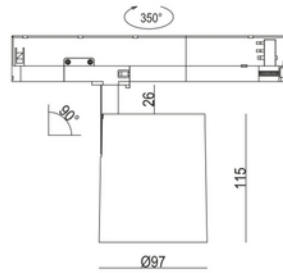
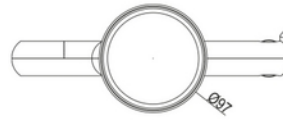


**PRODUCT DATA SHEET**

Rod Maxi C 4800lm 935 20° 27W BK 3-circuit  
 Art.no: 102322-20-2

*Lighting Solutions*

## Rod Maxi C 4800lm 935 20° 27W BK 3-circuit



ELECTRICAL DATA	
Protection Class (system)	2
Dimming (system)	None
Voltage (system) [V]	230V 50Hz

TECHNICAL DATA	
IK (system)	IK02
IP (system)	IP20
Outdoor	No
Operating temperature (°C)	-20 - 45

PHOTOMETRIC DATA	
CRI / Ra (>=)	90
CCT (Color Temperature) (K)	3500

**PRODUCT DATA SHEET**

Rod Maxi C 4800lm 935 20° 27W BK 3-circuit

Art.no: 102322-20-2

*Lighting Solutions*

PHOTOMETRIC DATA	
Color Code	935
Lightsource Type	LED (built in)
Lens (Diffuser)	Clear
Lifetime (h)	L80B10: 100 000
MacAdam (SDCM)	3
UGR (<=)	19

DRIVER	
Manufacturer (driver)	Boke
Protection Class (driver)	2
Standby power P <sub>sb</sub> (W) <	0.5
Flicker metric (P <sub>st</sub> LM) <	0.037
Stroboscopic effect metric (SVM) <	0.009
Max Output Voltage (V)	42
IP (driver)	IP20
Expected Lifetime (driver) (h)	100000
Flicker-free	Yes
Constant current or voltage (CC or CV)	CC
CC (driver) [mA]	300 - 1050
Current setting (driver)	DIP-switch
CC (forward voltage driver) (V)	10.0 - 42.0
Surge Protection	L-N = 2KV
CV (driver) [V]	36
Output Current Tolerance (%)	5.0
Current Ripple (%)	3.0
Max load pr circuit - B10	38
Max load pr circuit - B16	62
Max load pr circuit - C10	38
Max load pr circuit - C16	62
Max load pr circuit - C20	77
Max load pr circuit - C25	96
Max load pr circuit - C32	122
Leakage current (mA)	0.26
Inrush current time (µs)	68.0
Inrush current I <sub>max</sub> (A)	1.86

**PRODUCT DATA SHEET**

Rod Maxi C 4800lm 935 20° 27W BK 3-circuit

Art.no: 102322-20-2

*Lighting Solutions*

DIMENSIONS	
Height (product) (mm)	115.0
Diameter (product) (mm)	97.0

MATERIALS AND SURFACES	
Color	Black
RAL Code	RAL9005
Corrosion Class	C1
Surface treatment	Powdercoated
Housing Material	Aluminium
Diffuser Material	Aluminium

INSTALLATION AND CONNECTION	
Areas of use	Inndoor, Generally, Industrial, Shop, Showroom
Mounting	Track, Ceiling
Connection (system)	Track 3-Circuit

ENERGY AND CERTIFICATIONS	
CE mark	Yes
EPD number	NEPD-14828-15549



**PRODUCT DATA SHEET**

Rod Maxi C 4800lm 935 20° 27W BK 3-circuit

Art.no: 102322-20-2



*Lighting Solutions*

**LIGHT DISTRIBUTION**

