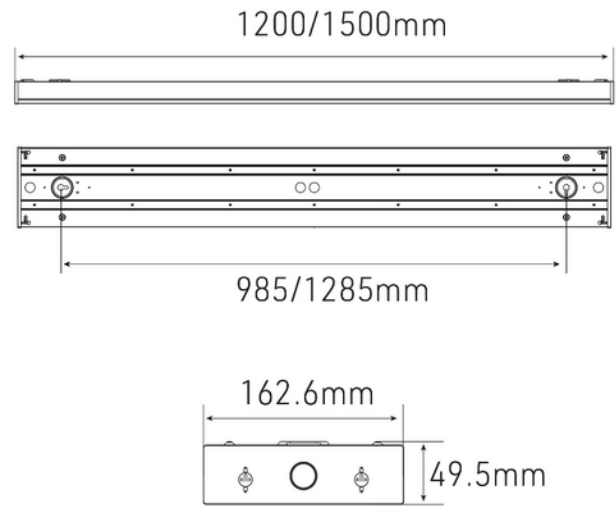


**FDV DOCUMENTATION**

Uniplus NWC 5000lm 830 90° 40W 5x2,5mm2 1500mm WH
 Art.no: 103052-NW-90-3

*Lighting Solutions*

Uniplus NWC 5000lm 830 90° 40W 5x2,5mm2 1500mm WH

**MAINTENANCE**

Clean with a damp cloth

SPECIFICATIONS	
Lumen Out (system) (lm)	4400
Length (product) (mm)	1500.0
Width (product) (mm)	162.6
Height (product) (mm)	49.5
Weight (product) (kg)	3.42



FDV DOCUMENTATION

Uniplus NWC 5000lm 830 90° 40W 5x2,5mm2 1500mm WH

Art.no: 103052-NW-90-3



Lighting Solutions

LIGHT DISTRIBUTION

