

## CBU Box sensor Wide Casambi

IP66

The motion sensor uses the Casambi Bluetooth Low Energy Mesh network to control single or multiple luminaires and devices on the same network without the use of gateways, routers, repeaters or extra cabling. The functions are set in the app, e.g. luminaire, device, group, scene/animation or all luminaires can be controlled by the sensors. Installation must be carried out by a qualified electrician.

TECHNICAL DATA	
IP (system)	IP66
Operating temperature (°C)	-20 - 40
Fits 55x55 frame system	No
Movement coverage area (m)	28m
Recommended mounting height (m)	Max. 14m
Measuring range (lux)	Max. 2000 Lux

DIMENSIONS	
Length (product) (mm)	110.0
Width (product) (mm)	110.0
Height (product) (mm)	73.0

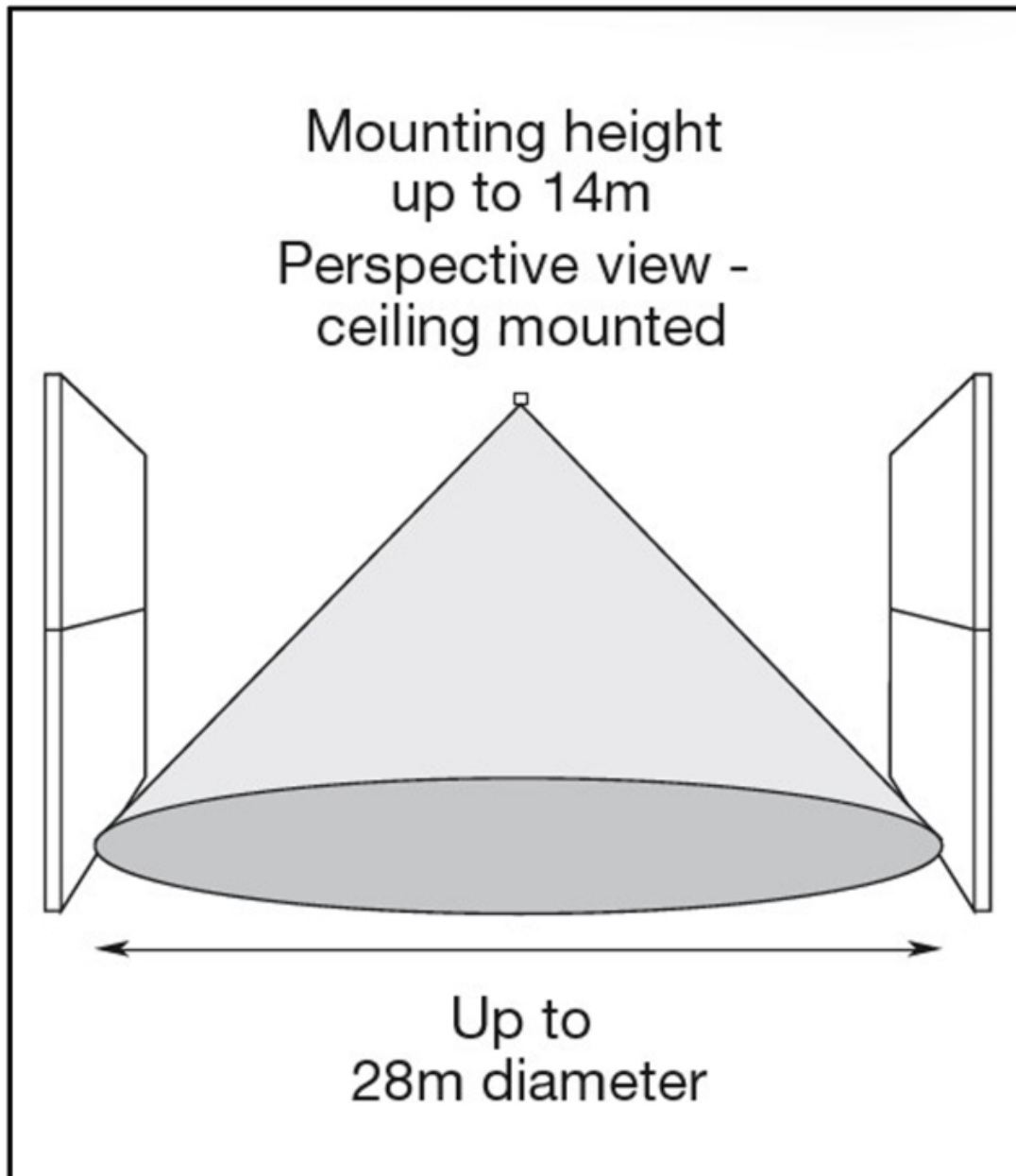


**MATERIALS AND SURFACES**

Color

White

**DETECTION AREA**





**WIRING**

