



**PRODUCT DATA SHEET**

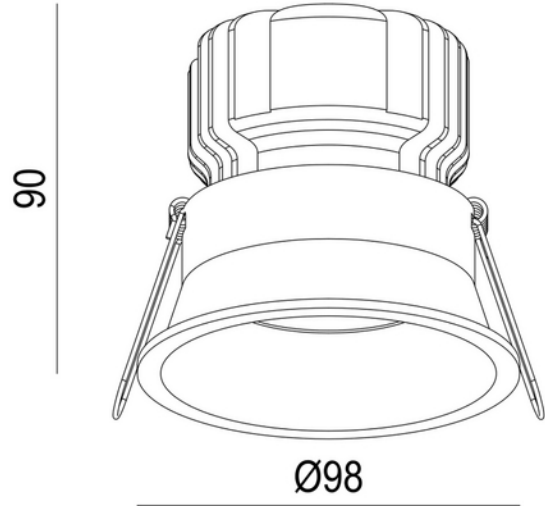
Ceto Fixed 1100lm 15W 927 36° BK EPN0024 w/o driver  
Art.no: 28927-2-01-36-2



*Lighting Solutions*



92mm



## Ceto Fixed 1100lm 15W 927 36° BK EPN0024 w/o driver



| ELECTRICAL DATA           |                     |
|---------------------------|---------------------|
| Protection Class (system) | 3                   |
| Dimming (system)          | Depending on Driver |
| Voltage (system) [V]      | 230V 50Hz           |
| Emergency light (h)       | No Emergency light  |

| TECHNICAL DATA             |          |
|----------------------------|----------|
| IK (system)                | IK02     |
| IP (system)                | IP44     |
| IP Front/Back (system)     | IP40/20  |
| Outdoor                    | No       |
| Operating temperature (°C) | -20 - 45 |

**PRODUCT DATA SHEET**

Ceto Fixed 1100lm 15W 927 36° BK EPN0024 w/o driver  
Art.no: 28927-2-01-36-2



*Lighting Solutions*

| PHOTOMETRIC DATA                    |                |
|-------------------------------------|----------------|
| Efficacy (system) (lm/W)            | 73             |
| CRI / Ra (>=)                       | 95             |
| CCT (Color Temperature) (K)         | 2700           |
| Color Code                          | 927            |
| Lightsource Type                    | LED (built in) |
| Lens (Diffuser)                     | Clear          |
| Lifetime (h)                        | L80: 100 000   |
| MacAdam (SDCM)                      | 3              |
| UGR (<=)                            | 19             |
| Manufacturer (light source)         | Sunpu          |
| Forward Current LED (min-max) (mA)  | 250 - 500      |
| Forward Voltage LED (max tp=25) (V) | 36.0           |
| Driftspenning LED (min tp=65) (V)   | 32.0           |

| DRIVER                |       |
|-----------------------|-------|
| Manufacturer (driver) | AcTEC |

| DIMENSIONS              |                   |
|-------------------------|-------------------|
| Height (product) (mm)   | 90.0              |
| Weight (product) (kg)   | 0.441666666666667 |
| Diameter (product) (mm) | 98.0              |

| MATERIALS AND SURFACES |           |
|------------------------|-----------|
| Color                  | Black     |
| RAL Code               | RAL9005   |
| Corrosion Class        | C1        |
| Housing Material       | Aluminium |
| Diffuser Material      | Aluminium |

| INSTALLATION AND CONNECTION |                       |
|-----------------------------|-----------------------|
| Areas of use                | Generally             |
| Mounting                    | Recessed              |
| Connection (system)         | 18i3 Quick connection |



## PRODUCT DATA SHEET

Ceto Fixed 1100lm 15W 927 36° BK EPN0024 w/o driver

Art.no: 28927-2-01-36-2



*Lighting Solutions*

| ENERGY AND CERTIFICATIONS |     |
|---------------------------|-----|
| Energy Class EPREL        | F   |
| CE mark                   | Yes |

## LIGHT DISTRIBUTION

