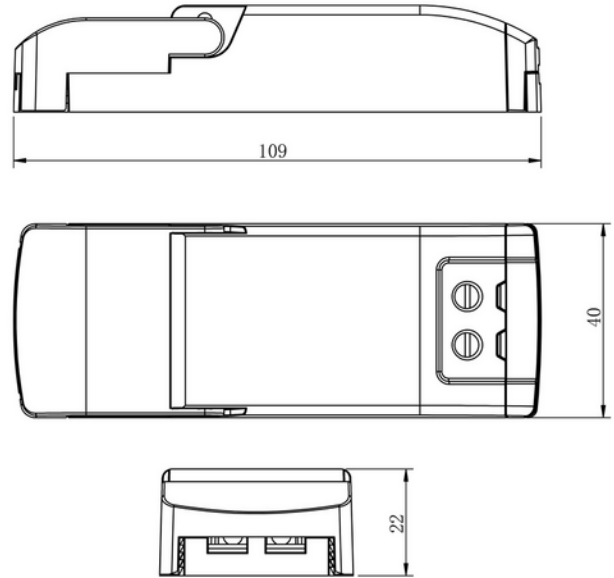


**FDV DOCUMENTATION**

Driver 700mA cc 12W (9-18V) Phasecut AcTec JB&SM

Art.no: D70012NTF-02

*Lighting Solutions*

Driver 700mA cc 12W (9-18V) Phasecut AcTec JB&SM



SPECIFICATIONS	
Dimming (driver)	Phase-Cut
CC (forward voltage driver) (V)	18.0
Inrush current time (μ s)	300.0
Inrush current I _{max} (A)	5.0
Length (product) (mm)	109.0
Width (product) (mm)	40.0
Height (product) (mm)	22.0
Weight (product) (kg)	0.1