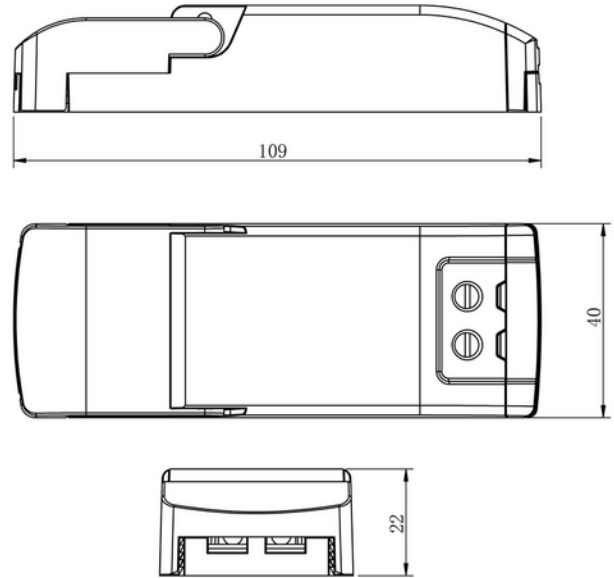


**PRODUCT DATA SHEET**

Driver 700mA cc 12W (9-18V) Phasecut AcTec JB&SM  
 Art.no: D70012NTF-02

*Lighting Solutions*

## Driver 700mA cc 12W (9-18V) Phasecut AcTec JB&SM



ELECTRICAL DATA	
Protection Class (system)	2
Dimming (system)	Phase-Cut
Voltage (system) [V]	230V 50Hz

TECHNICAL DATA	
IP (system)	IP20
Outdoor	No
Connection 1	QuickConnect (L+N)
Connection 2	SM Connector

DRIVER	
Manufacturer (driver)	AcTEC
Protection Class (driver)	2

**PRODUCT DATA SHEET**

Driver 700mA cc 12W (9-18V) Phasecut AcTec JB&amp;SM

Art.no: D70012NTF-02

*Lighting Solutions*

<b>DRIVER</b>	
Flicker metric (Pst LM) <	1.0
Stroboscopic effect metric (SVM) <	0.4
Max Output Voltage (V)	26
Dimming (driver)	Phase-Cut
Dimming Minimum Level (%)	1.0
Dimming Phasecut Type	Leading / Trailing edge
Dimming output type	Amplitude Modulation
IP (driver)	IP20
Expected Lifetime (driver) (h)	50000
Constant current or voltage (CC or CV)	CC
CC (driver) [mA]	700 - null
CC (forward voltage driver) (V)	9.0 - 18.0
Output Current Tolerance (%)	5.0
Current Ripple (%)	20.0
Max load pr circuit - B10	35
Max load pr circuit - B16	56
Max load pr circuit - C10	74
Max load pr circuit - C16	118
Max load pr circuit - C20	148
Leakage current (mA)	0.7
Inrush current time (µs)	300.0
Inrush current I <sub>max</sub> (A)	5.0

<b>DIMENSIONS</b>	
Length (product) (mm)	109.0
Width (product) (mm)	40.0
Height (product) (mm)	22.0
Weight (product) (kg)	0.1

<b>ENERGY AND CERTIFICATIONS</b>	
CE mark	Yes