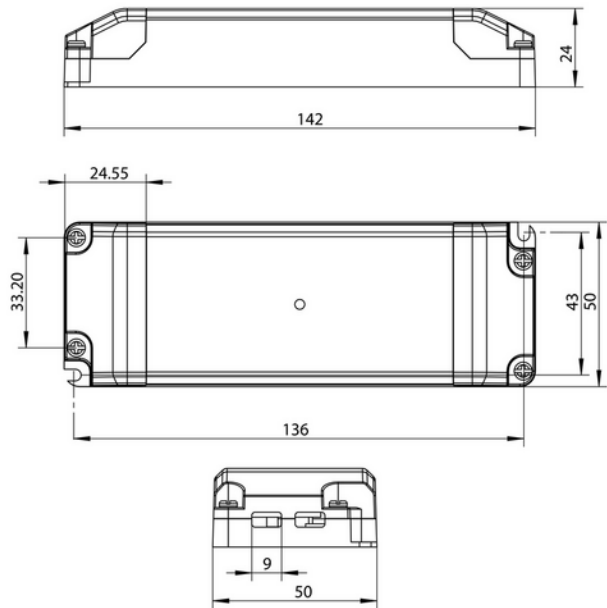


**FDV DOCUMENTATION**

Driver 700mA cc 30W 21-43V Phasecut AcTec 18i3 Male/EPN0034

Art.no: D70030NTF-03

*Lighting Solutions*

Driver 700mA cc 30W 21-43V Phasecut AcTec 18i3 Male/EPN0034



SPECIFICATIONS	
Operating temperature (°C)	50
Protection Class (driver)	2
CC (forward voltage driver) (V)	43.0
Inrush current time (µs)	300.0
Inrush current I _{max} (A)	5.0
Length (product) (mm)	142.0
Width (product) (mm)	50.0
Height (product) (mm)	24.0
Weight (product) (kg)	0.2