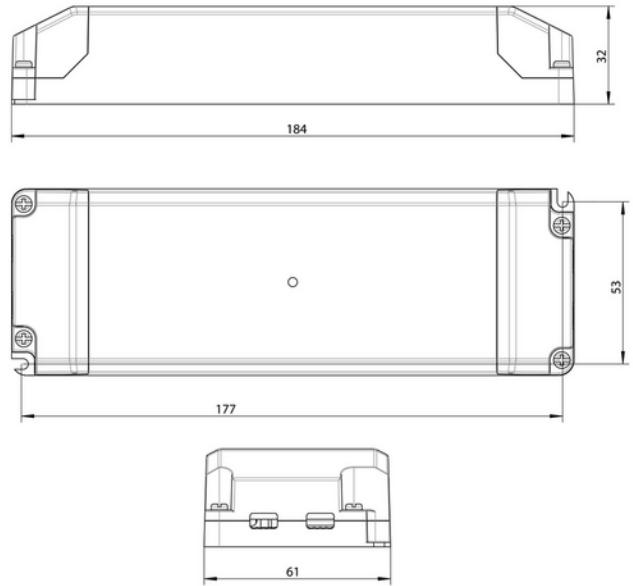


**FDV DOCUMENTATION**

Driver 24V cv 50W Phasecut IP20 AcTec

Art.no: DIM24-50

*Lighting Solutions*

Driver 24V cv 50W Phasecut IP20 AcTec



SPECIFICATIONS	
Inrush current time (μ s)	100.0
Inrush current I _{max} (A)	20.0
Length (product) (mm)	184.0
Width (product) (mm)	61.0
Height (product) (mm)	32.0
Weight (product) (kg)	0.24