



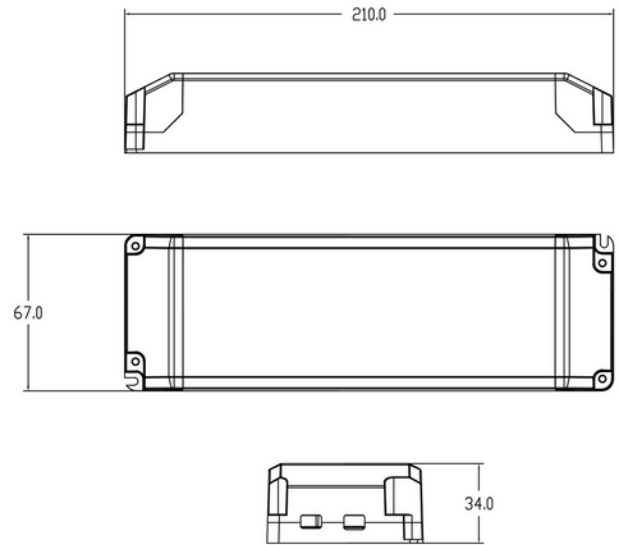
PRODUCT DATA SHEET

Driver 12V cv 150W IP20 w/3m cable Euro-plug WH 210x67x34mm

Art.no: Q8H-12V-150W-01



Lighting Solutions



Driver 12V cv 150W IP20 w/3m cable Euro-plug WH 210x67x34mm



12V constant voltage LED driver with 3m mains cable included (EURO-plug).

ELECTRICAL DATA	
Protection Class (system)	2
Dimming (system)	None
Voltage (system) [V]	230V 50Hz

TECHNICAL DATA	
IP (system)	IP20
Outdoor	No
Operating temperature (°C)	-20 - 50
Connection 1	3m Cable w/ Euro-plug

**PRODUCT DATA SHEET**

Driver 12V cv 150W IP20 w/3m cable Euro-plug WH 210x67x34mm

Art.no: Q8H-12V-150W-01

*Lighting Solutions*

DRIVER	
Manufacturer (driver)	AcTEC
Protection Class (driver)	2
Flicker metric (Pst LM) <	1.0
Stroboscopic effect metric (SVM) <	0.4
Dimming (driver)	None
IP (driver)	IP20
Expected Lifetime (driver) (h)	50000
Constant current or voltage (CC or CV)	CV
CV (driver) [V]	12
Output Current Tolerance (%)	5.0
Current Ripple (%)	5.0
Max load pr circuit - B10	5
Max load pr circuit - B16	9
Max load pr circuit - C10	12
Max load pr circuit - C16	19
Max load pr circuit - C20	24
Leakage current (mA)	0.7
Inrush current time (μ s)	300.0
Inrush current I _{max} (A)	30.0

DIMENSIONS	
Length (product) (mm)	210.0
Width (product) (mm)	67.0
Height (product) (mm)	34.0
Weight (product) (kg)	0.32

ENERGY AND CERTIFICATIONS	
CE mark	Yes