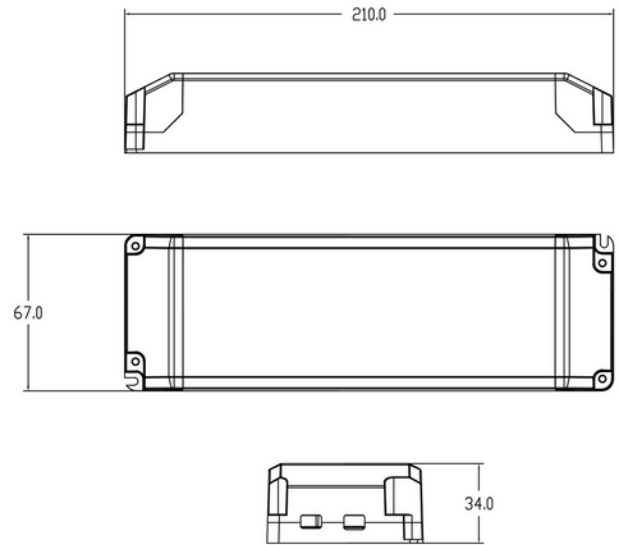


**FDV DOCUMENTATION**

Driver 24V cv 150W IP20 w/3m cable Euro-plug WH 210x67x34mm

Art.no: Q8H-24V-150W-01

*Lighting Solutions*

Driver 24V cv 150W IP20 w/3m cable Euro-plug WH 210x67x34mm



SPECIFICATIONS	
Operating temperature (°C)	50
Inrush current time (µs)	300.0
Inrush current I _{max} (A)	30.0
Length (product) (mm)	210.0
Width (product) (mm)	67.0
Height (product) (mm)	34.0
Weight (product) (kg)	0.32