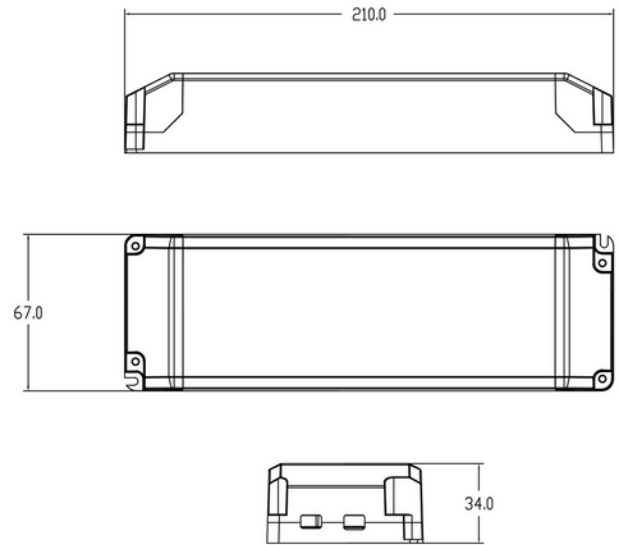


**PRODUCT DATA SHEET**

Driver 24V cv 150W IP20 w/3m cable Euro-plug WH 210x67x34mm

Art.no: Q8H-24V-150W-01

*Lighting Solutions*

Driver 24V cv 150W IP20 w/3m cable Euro-plug WH 210x67x34mm



24V constant voltage LED driver with 3m mains cable included (EURO-plug).

| ELECTRICAL DATA | |
|---------------------------|-----------|
| Protection Class (system) | 2 |
| Dimming (system) | None |
| Voltage (system) [V] | 230V 50Hz |

| TECHNICAL DATA | |
|----------------------------|-----------------------|
| IP (system) | IP20 |
| Outdoor | No |
| Operating temperature (°C) | -20 - 50 |
| Connection 1 | 3m Cable w/ Euro-plug |

**PRODUCT DATA SHEET**

Driver 24V cv 150W IP20 w/3m cable Euro-plug WH 210x67x34mm

Art.no: Q8H-24V-150W-01

*Lighting Solutions*

| DRIVER | |
|----------------------------------------|-------|
| Manufacturer (driver) | AcTEC |
| Protection Class (driver) | 2 |
| Flicker metric (Pst LM) < | 1.0 |
| Stroboscopic effect metric (SVM) < | 0.4 |
| Dimming (driver) | None |
| IP (driver) | IP20 |
| Expected Lifetime (driver) (h) | 50000 |
| Constant current or voltage (CC or CV) | CV |
| CV (driver) [V] | 24 |
| Output Current Tolerance (%) | 5.0 |
| Current Ripple (%) | 5.0 |
| Max load pr circuit - B10 | 5 |
| Max load pr circuit - B16 | 9 |
| Max load pr circuit - C10 | 12 |
| Max load pr circuit - C16 | 19 |
| Max load pr circuit - C20 | 24 |
| Leakage current (mA) | 0.7 |
| Inrush current time (μ s) | 300.0 |
| Inrush current I _{max} (A) | 30.0 |

| DIMENSIONS | |
|-----------------------|-------|
| Length (product) (mm) | 210.0 |
| Width (product) (mm) | 67.0 |
| Height (product) (mm) | 34.0 |
| Weight (product) (kg) | 0.32 |

| INSTALLATION AND CONNECTION | |
|------------------------------------|------------------|
| Connection (system) | 3m cable w/ Euro |

| ENERGY AND CERTIFICATIONS | |
|----------------------------------|-----|
| CE mark | Yes |