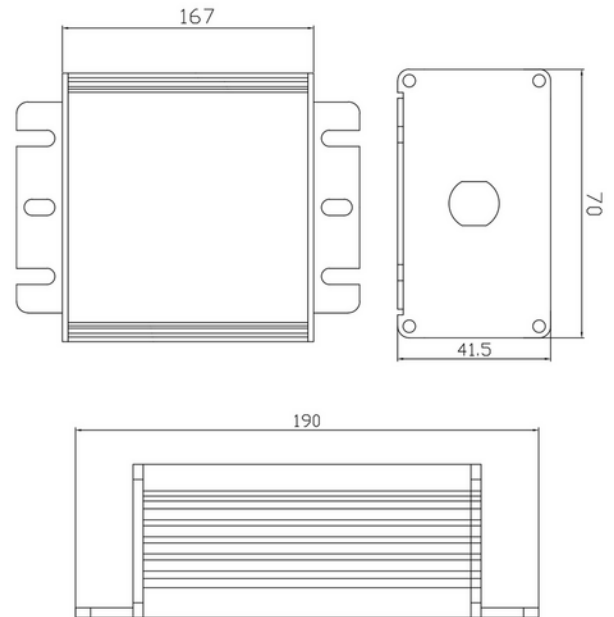


**FDV DOCUMENTATION**

Driver 24V cv 100W Phasecut IP67 AcTec

Art.no: V2-100-24T

*Lighting Solutions*

Driver 24V cv 100W Phasecut IP67 AcTec



SPECIFICATIONS	
Protection Class (driver)	2
Inrush current time (μ s)	300.0
Inrush current I _{max} (A)	50.0
Length (product) (mm)	191.0
Width (product) (mm)	70.0
Height (product) (mm)	40.0
Weight (product) (kg)	0.49