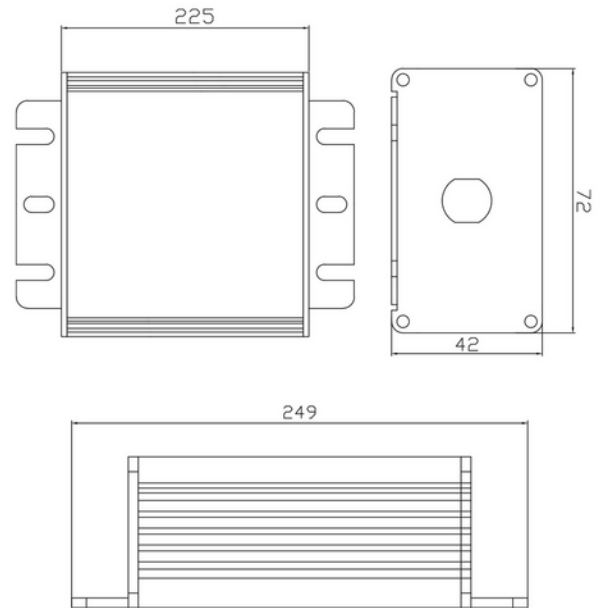


**PRODUCT DATA SHEET**

Driver 24V cv 200W Phasecut IP67 AcTec

Art.no: V2-200-24T

*Lighting Solutions*

## Driver 24V cv 200W Phasecut IP67 AcTec



Powerful 200W LED-driver for LED-strips that demands high efficiency. Comes with phase-cut and IP67 certified. Supports most of our LED-strips.

ELECTRICAL DATA	
Protection Class (system)	1
Dimming (system)	Phase-Cut
Voltage (system) [V]	230V 50Hz

TECHNICAL DATA	
IP (system)	IP67
Outdoor	Yes
Connection 1	0,3m free end
Connection 2	0,3m free end

**PRODUCT DATA SHEET**

Driver 24V cv 200W Phasecut IP67 AcTec

Art.no: V2-200-24T

*Lighting Solutions*

<b>DRIVER</b>	
Manufacturer (driver)	AcTEC
Protection Class (driver)	2
Flicker metric (Pst LM) <	1.0
Stroboscopic effect metric (SVM) <	0.4
Max Output Voltage (V)	24
Dimming (driver)	Phase-Cut
Dimming Minimum Level (%)	1.0
Dimming Phasecut Type	Leading / Trailing edge
Dimming output type	PWM
IP (driver)	IP67
Expected Lifetime (driver) (h)	50000
Constant current or voltage (CC or CV)	CV
CV (driver) [V]	24
Output Current Tolerance (%)	5.0
Current Ripple (%)	3.0
Max load pr circuit - B10	2
Max load pr circuit - B16	3
Max load pr circuit - C10	4
Max load pr circuit - C16	6
Max load pr circuit - C20	8
Leakage current (mA)	0.7
Inrush current time ( $\mu$ s)	900.0
Inrush current I <sub>max</sub> (A)	40.0

<b>DIMENSIONS</b>	
Length (product) (mm)	249.0
Width (product) (mm)	72.0
Height (product) (mm)	40.0
Weight (product) (kg)	1.2

<b>ENERGY AND CERTIFICATIONS</b>	
CE mark	Yes