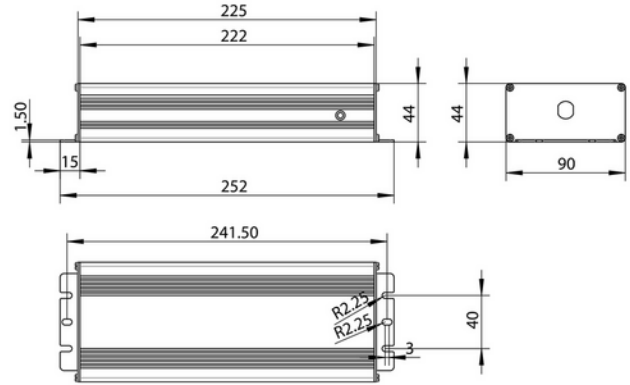


**PRODUCT DATA SHEET**

Driver 24V 300W IP67 3m Euro &amp; 4pcs Riva 6-way spl. mini 72W

Art.no: V6-320-24-02-2

*Lighting Solutions*

## Driver 24V 300W IP67 3m Euro & 4pcs Riva 6-way spl. mini 72W



maks 72W (3A) per splitter

ELECTRICAL DATA	
Protection Class (system)	1
Dimming (system)	None
Voltage (system) [V]	230V 50Hz

TECHNICAL DATA	
IP (system)	IP67
Outdoor	No
Operating temperature (°C)	-40 - 50
Connection 1	3m Cable w/ Euro-plug
Connection 2	Riva output

**PRODUCT DATA SHEET**

Driver 24V 300W IP67 3m Euro & 4pcs Riva 6-way spl. mini 72W  
Art.no: V6-320-24-02-2



*Lighting Solutions*

<b>DRIVER</b>	
Manufacturer (driver)	AcTEC
Protection Class (driver)	2
Flicker metric (Pst LM) <	1.0
Stroboscopic effect metric (SVM) <	0.4
Dimming (driver)	None
IP (driver)	IP67
Expected Lifetime (driver) (h)	50000
Constant current or voltage (CC or CV)	CV
CV (driver) [V]	24
Output Current Tolerance (%)	5.0
Current Ripple (%)	5.0
Max load pr circuit - B10	1
Max load pr circuit - B16	2
Max load pr circuit - C10	2
Max load pr circuit - C16	4
Max load pr circuit - C20	5
Leakage current (mA)	0.7
Inrush current time ( $\mu$ s)	500.0
Inrush current I <sub>max</sub> (A)	70.0

<b>DIMENSIONS</b>	
Length (product) (mm)	252.0
Width (product) (mm)	90.0
Height (product) (mm)	44.0

<b>MATERIALS AND SURFACES</b>	
Color	Black

<b>INSTALLATION AND CONNECTION</b>	
Connection (system)	3m cable w/ Euro

<b>ENERGY AND CERTIFICATIONS</b>	
CE mark	Yes



**PRODUCT DATA SHEET**

Driver 24V 300W IP67 3m Euro & 4pcs Riva 6-way spl. mini 72W

Art.no: V6-320-24-02-2



*Lighting Solutions*