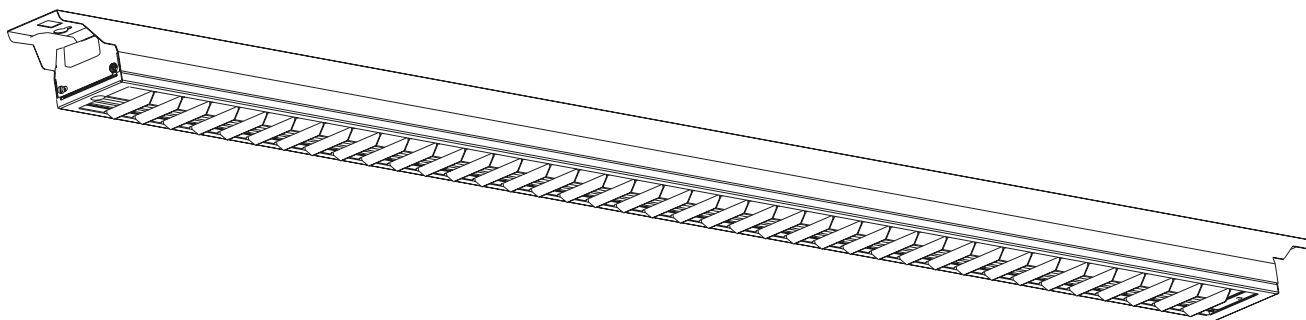


ART. NO.

102519-2-02-3

102519-2-E-02-3

NORLUX®*Lighting Solutions*

C Line Louvre

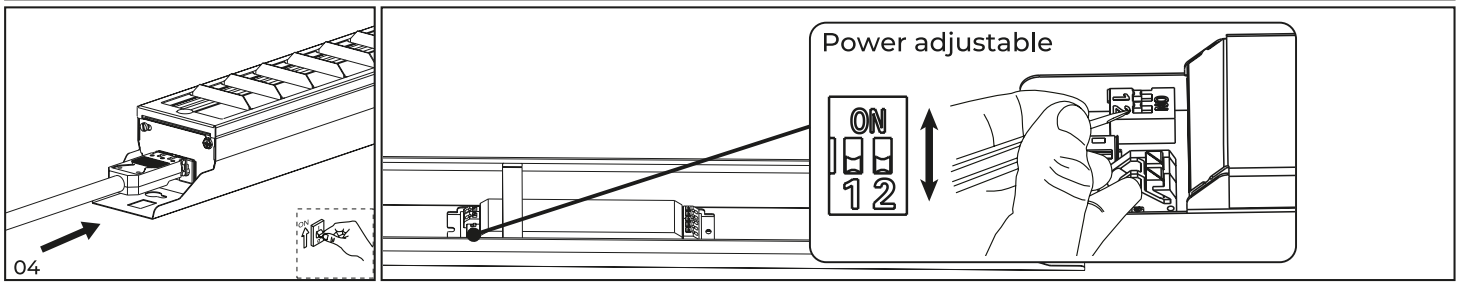
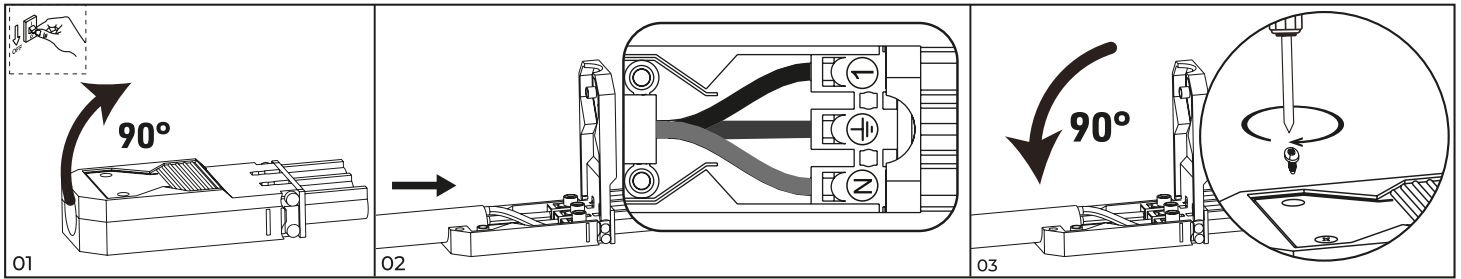
INSTALLATION MANUAL

**⚠ Safety Notes:**

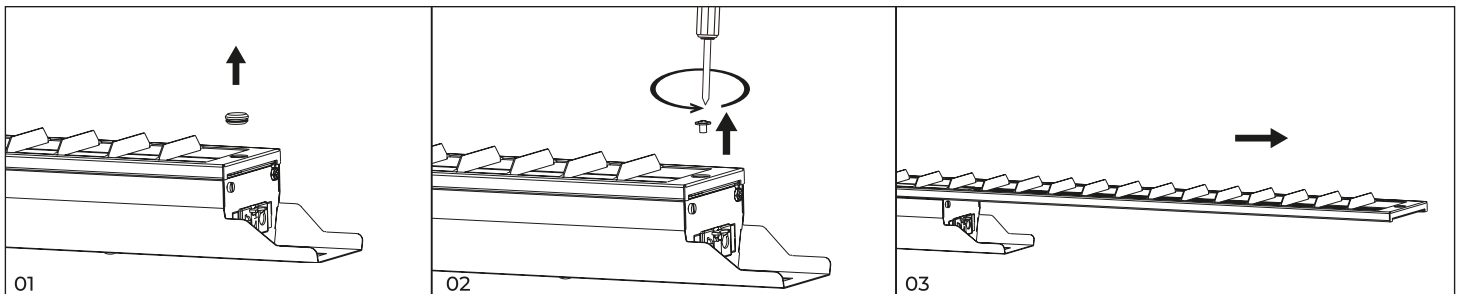
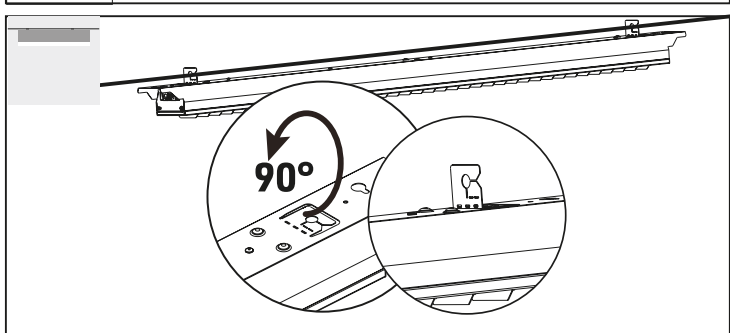
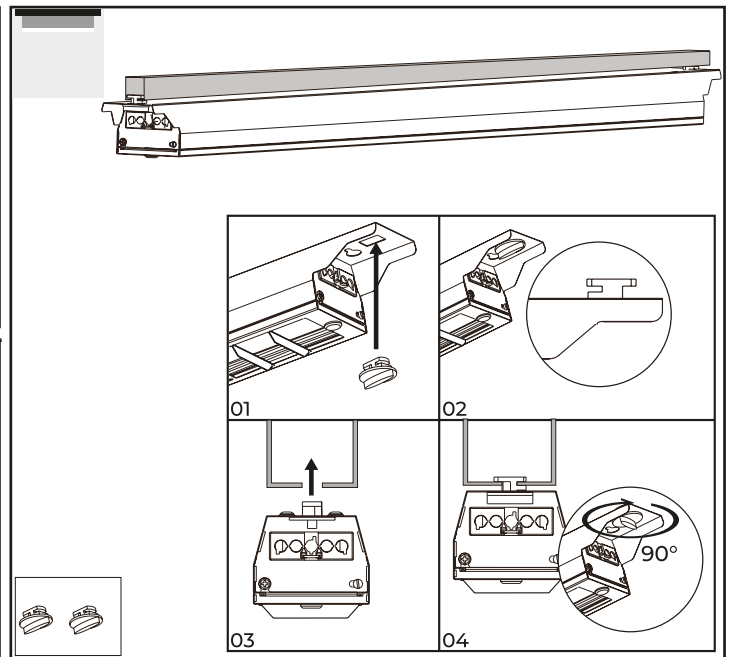
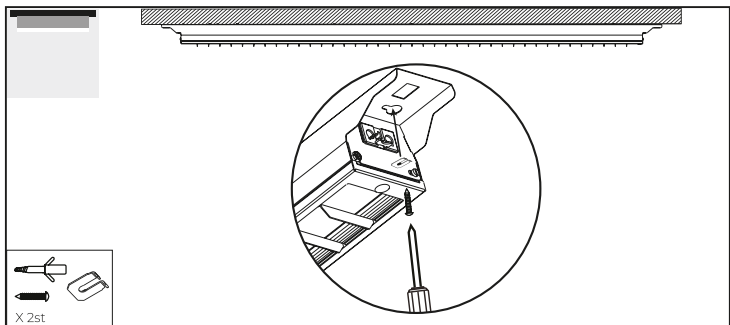
- The product must be installed, maintained, and operated as instructions below.
- Before starting installation of this product, make sure power supply is disconnected.
- Only to be installed by authorized electrician.
- Do not use abrasives or solvents when cleaning.
- Do not install the product if it appears damaged in any way. Check with manufacturer if in doubt.
- Do not modify this fitting in any matter as this will void warranty.
- Check protection class, if class I, it must be earthed.
- Disconnect power supply before maintenance or cleaning.

⚠ Sikkerhetsinformasjon:

- Følg installasjonsmanual for korrekt montering.
- Koble alltid fra strømmen før montering eller vedlikehold.
- Kan kun monteres av autorisert elektriker.
- Monter ikke produktet hvis det er synlig skade. Kontakt forhandler eller produsent.
- Bruk ikke løsemidler ved rengjøring
- Produktet skal ikke under noen omstendigheter endres eller modifiseres.
- Sjekk produktets isolasjonsklasse. Ved isolasjonsklasse I skal produktet jordes.



<p>mm mm² 0.5-2.5 12</p>	<p>3 wires</p> <p>L1 E N</p>	<p>5 wires</p> <p>L1 L2 E N L3</p>	<p>Emergency</p> <p>L2 L1 Switch live E Earth "E" N Neutral "N" L3 Emergency Live</p>
---	---	---	--



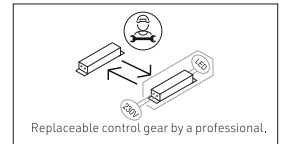
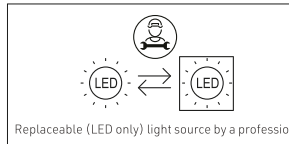
Circuit breakers

1	2	3	4	nx...
	B10	B16	C10	C16
	60W	13	21	34

Linkable qty (2.5mm² wire through)

Input Voltage	NX	NX	NX	NX
230VAC	20(60W)	23(51W)	28(42W)	36(33W)

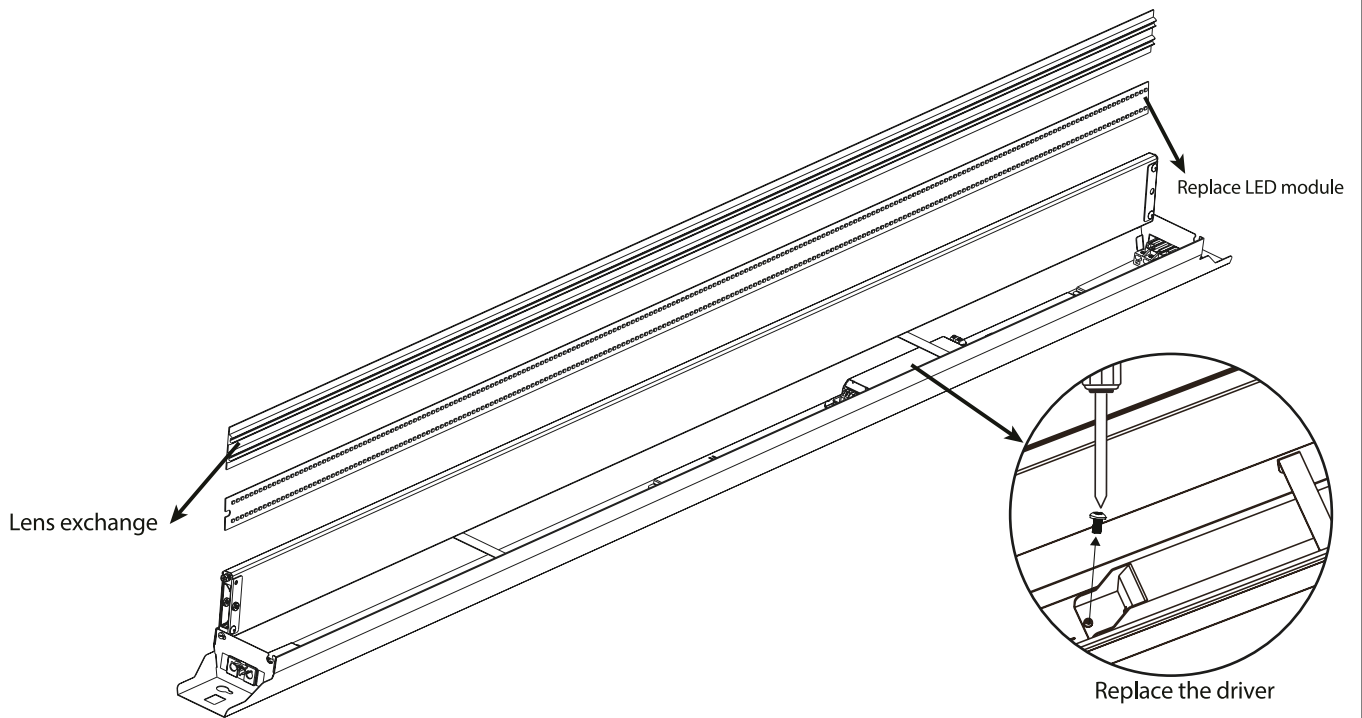
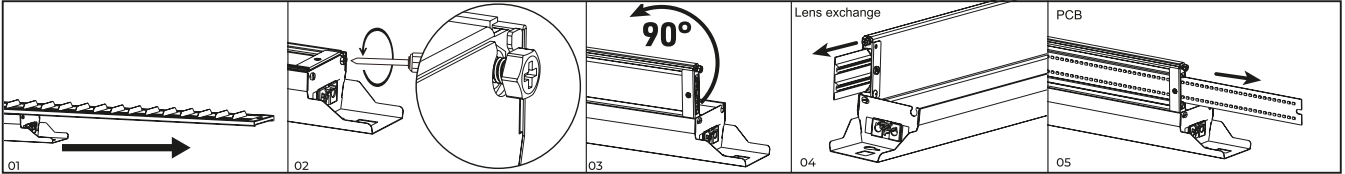
CCT	EET
2700K	B



This product contains a light source of energy efficiency class .

Replacement steps :

- 01 . Pull out the Louvre.
- 02 . Use a tool to loosen the screw
- 03 . Open the cover and unscrew the screws on the back side.
- 04 . Replace the lens and PCB board.
- 05 . Replace the power supply accordingly.



Explanation of Emergency LED Indicator

	Color	LED indication	Status	Comment
	Green	Slow flashing green (3 sec on, 1 sec off)	Charging Mode	AC mode
	Green	Permanent green	Fully Charged	AC mode
	Green	Fast flashing green (0.1 sec on, 0.1 sec off)	Function test underway	
	Green	Slow flashing green (1 sec on, 1 sec off)	Duration test underway	
	Red	Permanent red	Load failure	Open circuit/ Short circuit Led failure (emergency mode)
	Red	Slow flashing red (1 sec on, 1 sec off)	Battery failure	Battery failed the duration test or function test / No battery
		Green and red off	DC mode	Battery operation (emergency mode)