

Z-Flood

INSTALLATION MANUAL



⚠ Safety Notes:

- The product must be installed, maintained, and operated as instructions below.
- Before starting installation of this product, make sure power supply is disconnected.
- Only to be installed by authorized electrician.
- Do not use abrasives or solvents when cleaning.
- Do not install the product if it appears damaged in any way. Check with manufacturer if in doubt.
- Do not modify this fitting in any matter as this will void warranty.
- Check protection class, if class I, it must be earthed.
- Disconnect power supply before maintenance or cleaning.

⚠ Sikkerhetsinformasjon:

- Følg installasjonsmanual for korrekt montering.
- Koble alltid fra strømmen før montering eller vedlikehold.
- Kan kun monteres av autorisert elektriker.
- Monter ikke produktet hvis det er synlig skade. Kontakt forhandler eller produsent.
- Bruk ikke løsemidler ved rengjøring
- Produktet skal ikke under noen omstendigheter endres eller modifiseres.
- Sjekk produktets isolasjonsklasse. Ved isolasjonsklasse I skal produktet jordes.

**READ AND FOLLOW ALL SAFETY INSTRUCTIONS.
SAVE THE MANUAL FOR FUTURE REFERENCE!**

⚠ WARNING

To avoid electric shock:

Installation and wiring of luminaire must be in accordance with all applicable local codes.
Installation, inspection, and maintenance of luminaires should be performed by a qualified electrician.

DO NOT make or alter any open holes in the luminaire.

DO NOT modify the luminaire.

DO NOT install damaged product.

Make sure electrical power is OFF before and during installation and maintenance.

Make sure the equipment is properly grounded.

Make sure the supply voltage is same as the rated fixture voltage.

To perform maintenance:

Only use luminaire in its intended location.

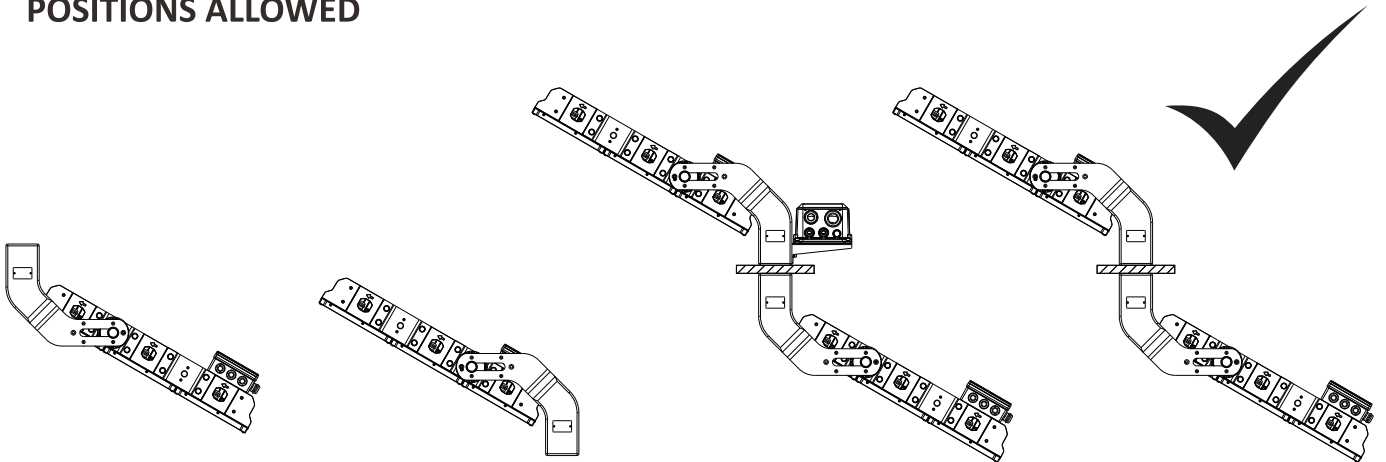
Make sure the luminaire is not covered with material that will prevent convection or conduction cooling.

It's suggested to perform visual, electrical, and mechanical inspections on a regular basis and cleaned with a non-aggressive product.

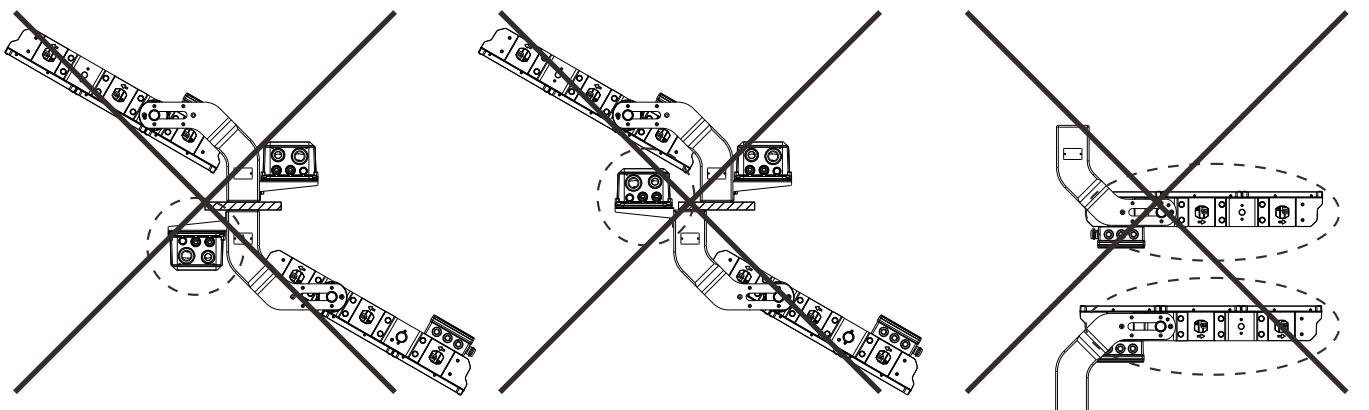
Any deterioration in the cables should be noted and reported to a suitably qualified electrician who will advise an appropriate course of action.

The Surge Protective Device (SPD) will need replacing when it comes to the end of its useful life. This should be checked for operation during the annual maintenance.

POSITIONS ALLOWED

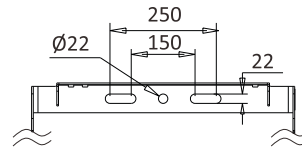
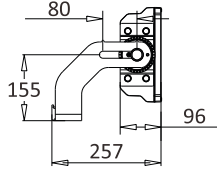
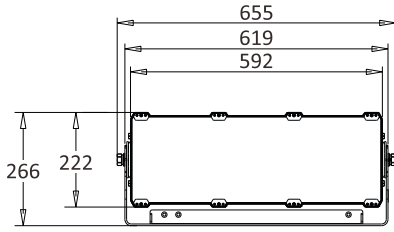


POSITIONS NOT ALLOWED



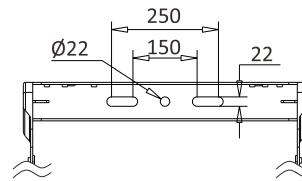
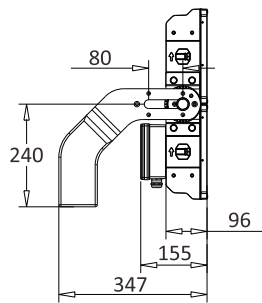
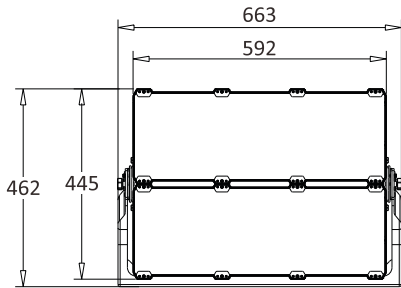
LUMINAIRE (Unit: mm)

600W/750W



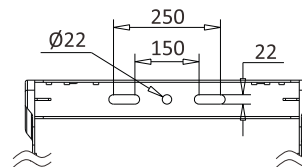
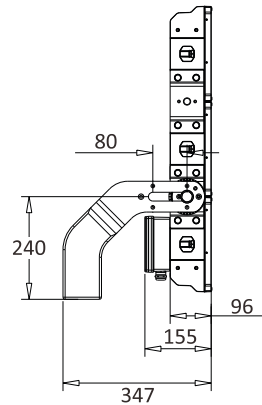
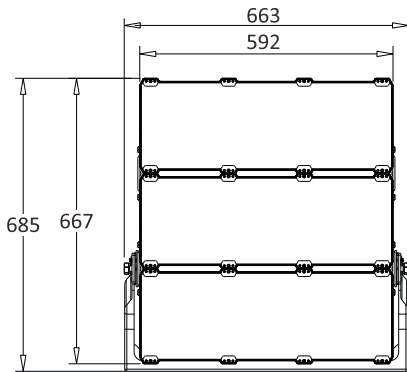
kg
11.5KG

1200W/1500W



kg
23.6KG

1800W



kg
31.9KG

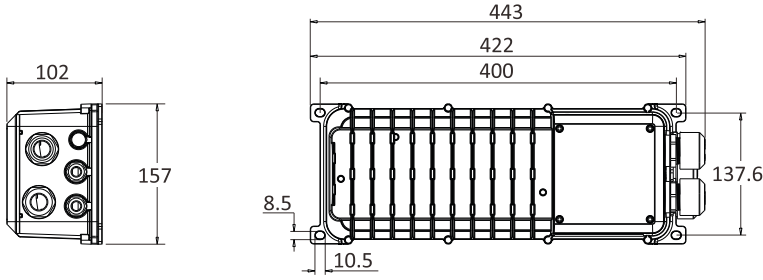
Luminaire Windage Area(SCx)

Power	SCX0°*	SCX15°*	SCX30°*	SCX45°*	SCX60°*	SCX75°*	SCX90°*
600W/750W	0.04m ²	0.07m ²	0.1m ²	0.12m ²	0.14m ²	0.15m ²	0.15m ²
1200W/1500W	0.04m ²	0.11m ²	0.18m ²	0.24m ²	0.28m ²	0.30m ²	0.31m ²
1800W	0.04m ²	0.15m ²	0.26m ²	0.35m ²	0.42m ²	0.46m ²	0.46m ²

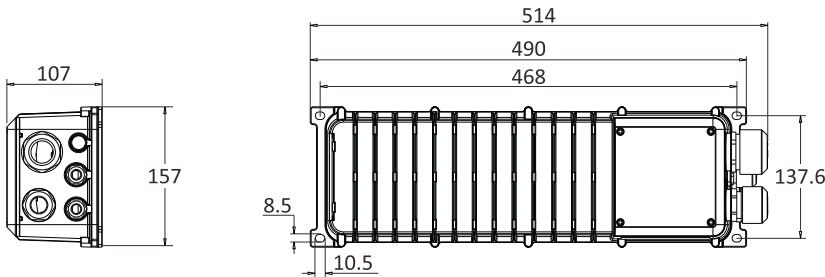
* These data refer to the worst case at indicated angle

DRIVER BOX (Unit: mm)

AHF-800SP-400DD/AHF-1K2SP-400DD



AHF-1K8SP-400DD

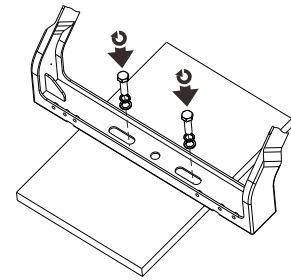
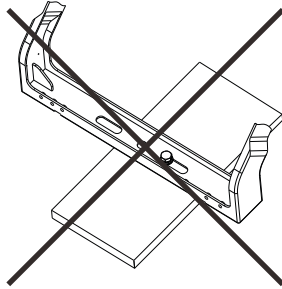
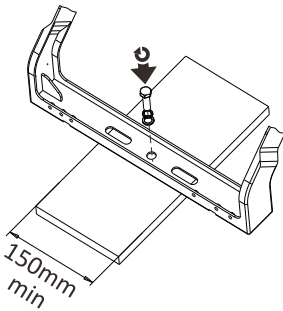
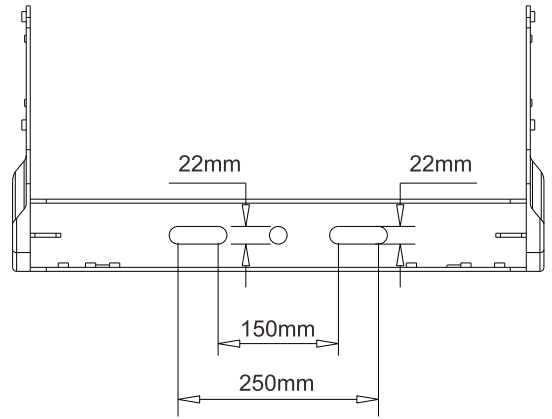
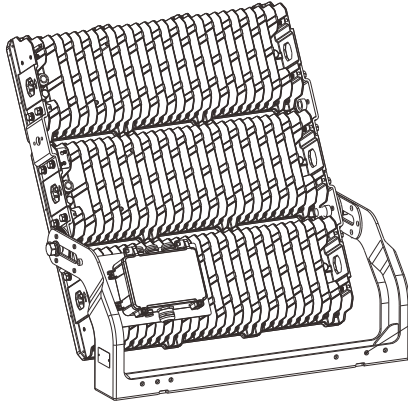


Driver Model	Luminaire Wattage	MCB Type	Input Voltage	Quantity
AHF-800SP-400DD	600W/750W	MCB 16A B Type	AC 200-480	3
		MCB 32A B Type	AC 200-480	5
		MCB 16A C Type	AC 200-480	3
		MCB 32A C Type	AC 200-480	5

Driver Model	Luminaire Wattage	MCB Type	Input Voltage	Quantity
AHF-1K2SP-400DD	1200W	MCB 16A B Type	AC 200-480	2
		MCB 32A B Type	AC 200-480	4
		MCB 16A C Type	AC 200-480	2
		MCB 32A C Type	AC 200-480	4

Driver Model	Luminaire Wattage	MCB Type	Input Voltage	Quantity
AHF-1K8SP-400DD	1500W/1800W	MCB 16A B Type	AC 200-420	1
		MCB 32A B Type	AC 200-420	3
		MCB 16A C Type	AC 200-420	1
		MCB 32A C Type	AC 200-420	3

OVERSLUNG INSTALLATION

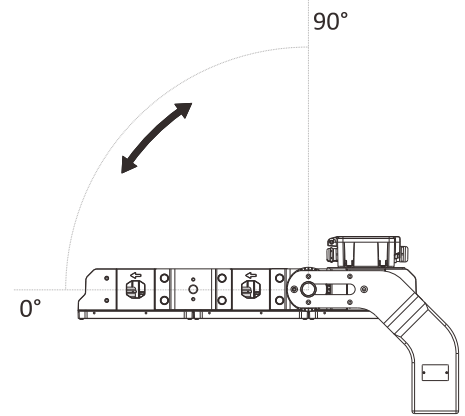
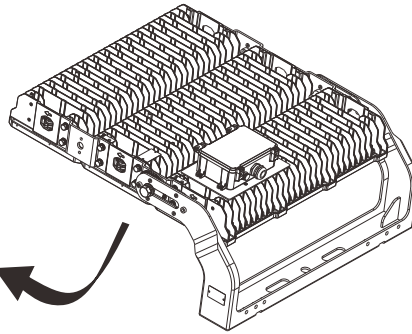
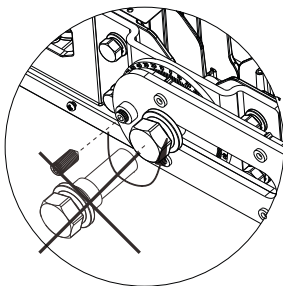
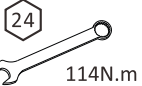
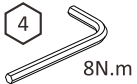


! 1xM20 with extra large washer(not provided)

! 2xM20 with extra large washer(not provided)

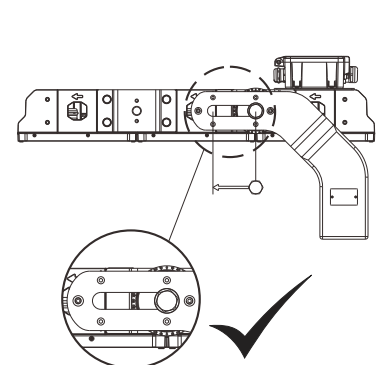
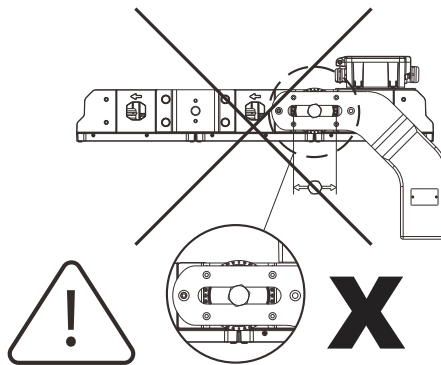
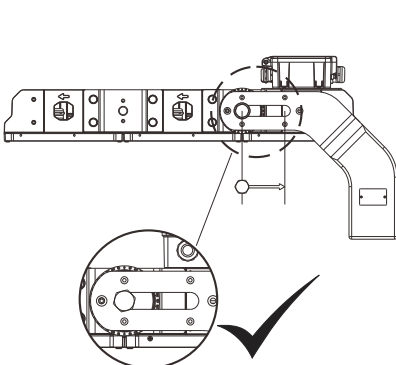


In case of using only one fixation point and if the luminaire is higher >3m, the use of a 2nd fixing security system is needed.



600W-1800W rotatable angle

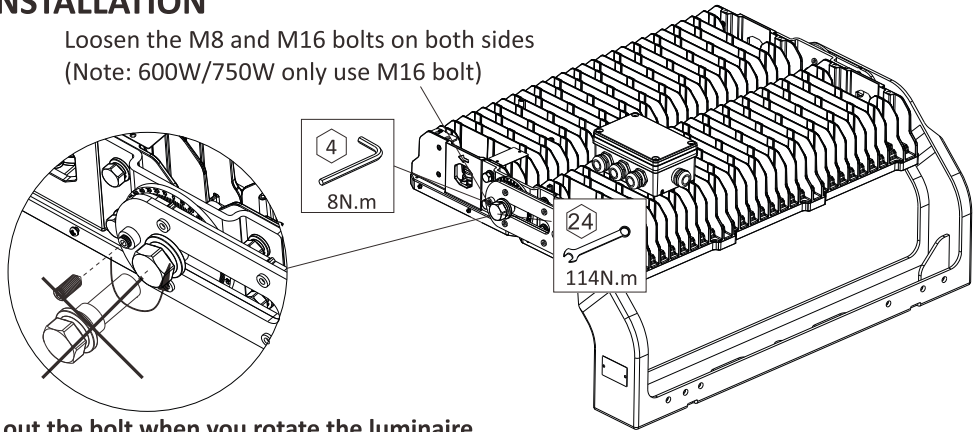
Don't pull out the bolt when you rotate the luminaire



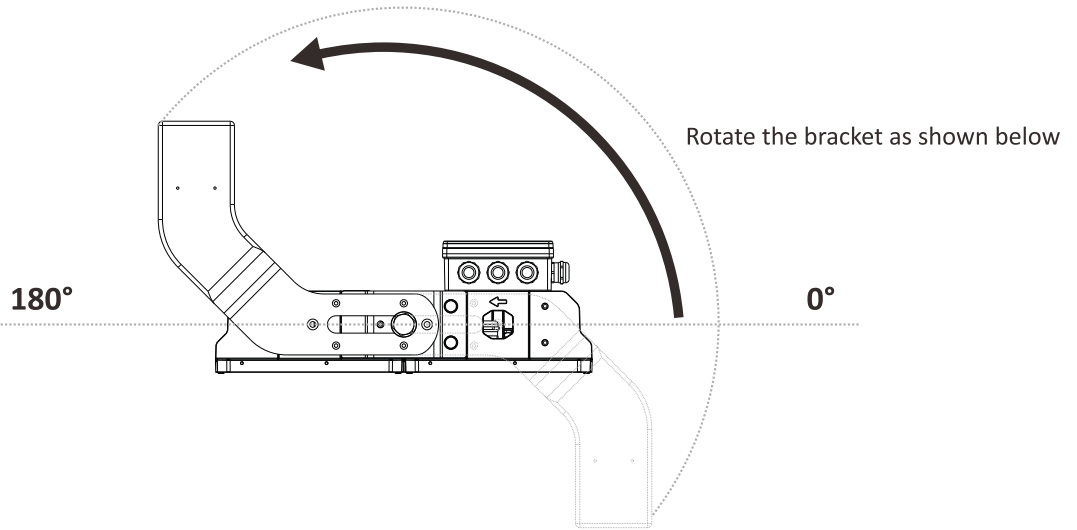
UNDERSLUNG INSTALLATION

600W-1500W

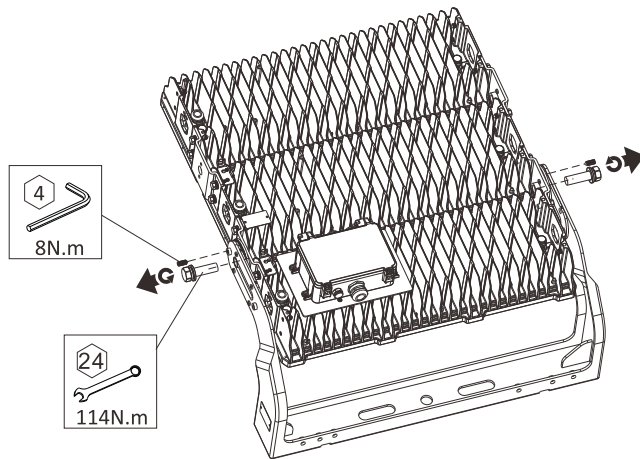
Loosen the M8 and M16 bolts on both sides
(Note: 600W/750W only use M16 bolt)



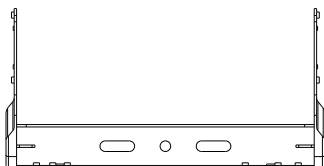
Don't pull out the bolt when you rotate the luminaire



1800W

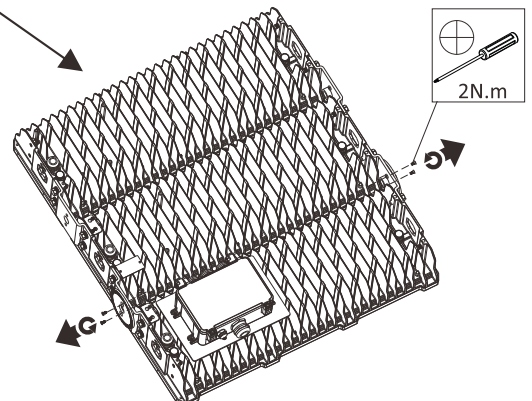


1

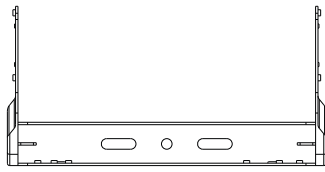


- 2-M8
- 2-M16

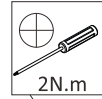
1



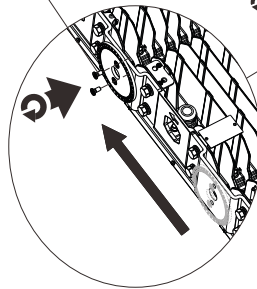
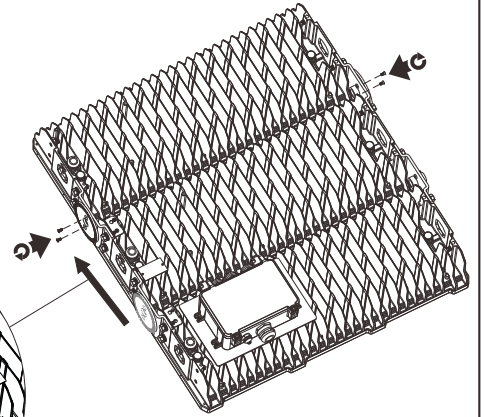
2



- 2-M8
- 2-M16

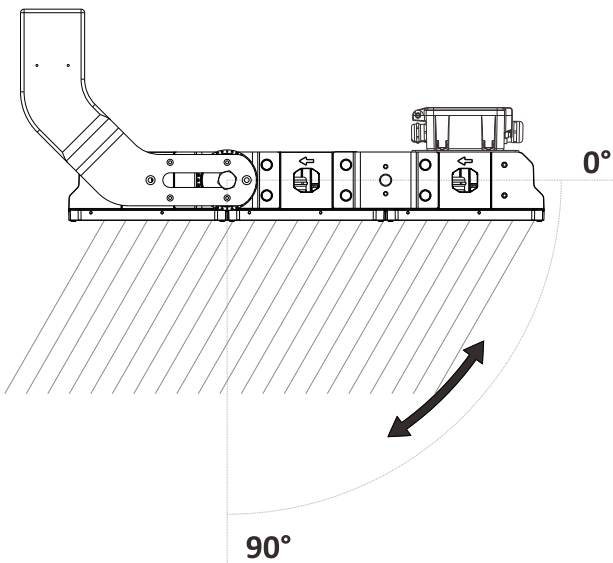
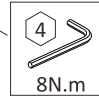
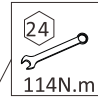
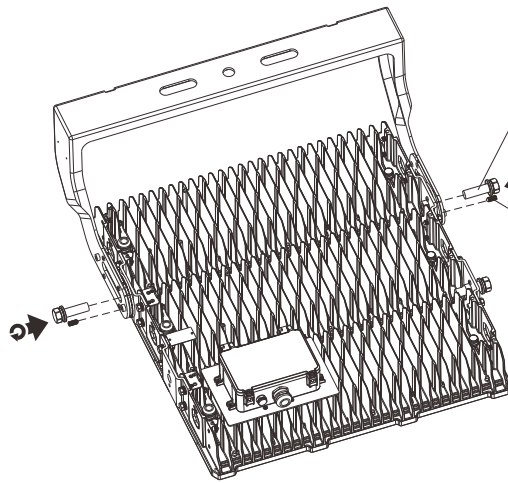


2

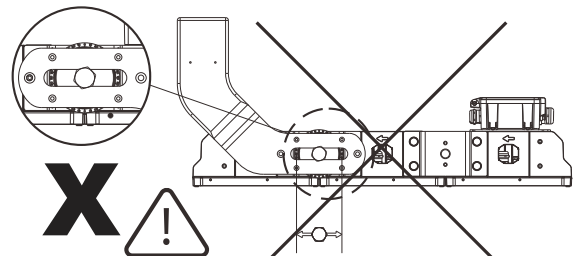
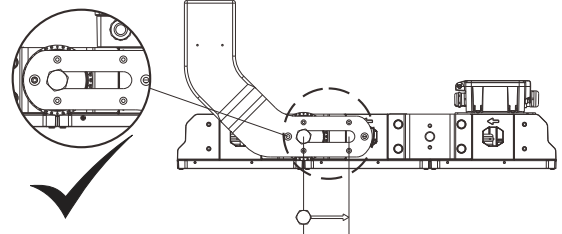
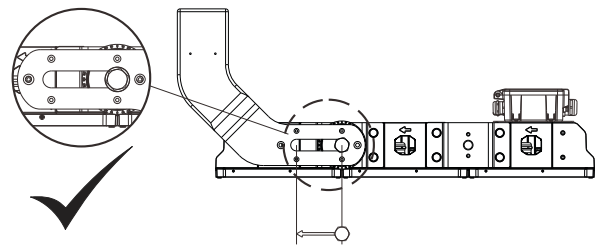


Move the bracket fixing position

3



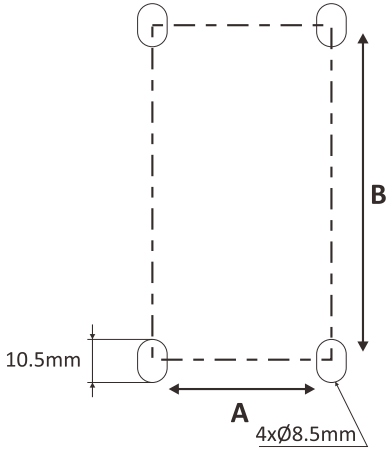
600W-1800W rotatable angle



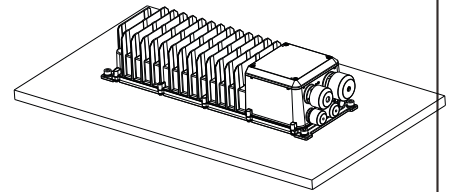
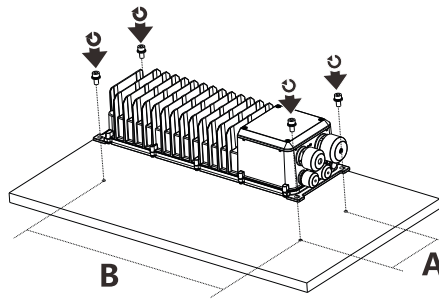
REMOTE DRIVER BOXES INSTALLATION

A. Installation of driver boxes on surface

Drilling recommendation



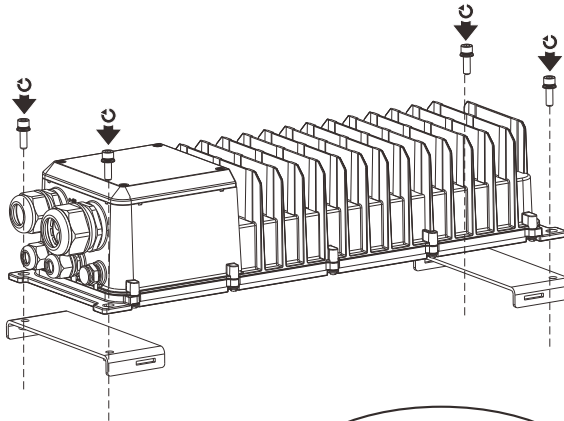
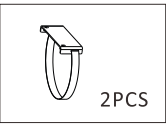
Driver Model	AHF-800SP-400DD	AHF-1K2SP-400DD	AHF-1K8SP-400DD
Distance A	137.6mm	137.6mm	137.6mm
Distance B	400mm	400mm	468mm
Screws (not provided)	4xM6	4xM6	4xM6



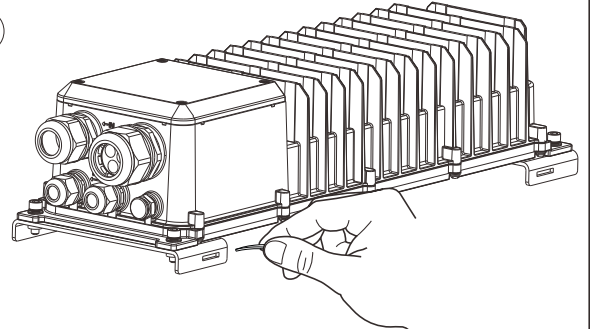
B. Installation of driver boxes on pole (optional)

1

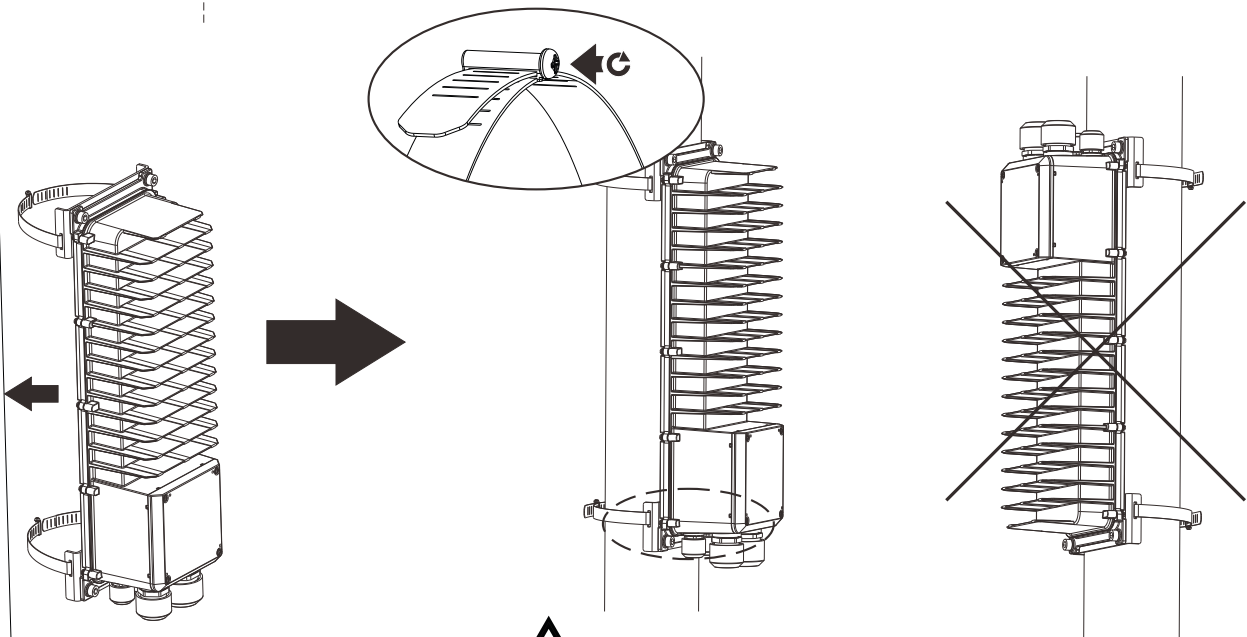
- M6
- 4PCS
- 2.5 N.m



2



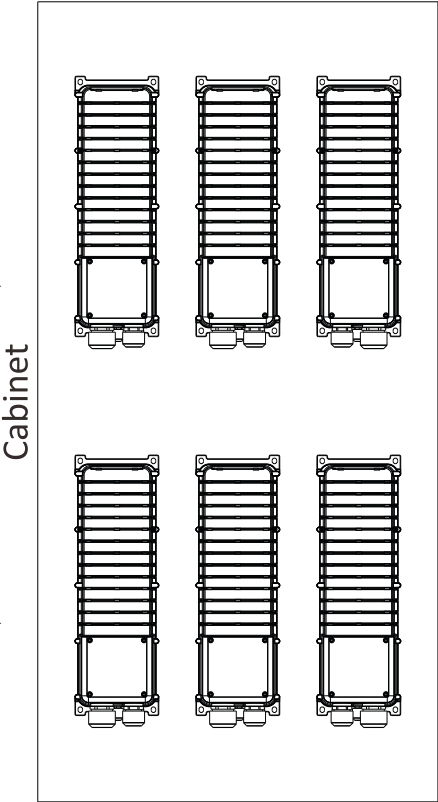
3



Cable glands oriented toward the ground.

C.Installation of driver boxes in cabinet

Each driver box in the cabinet has to be in vertical position.



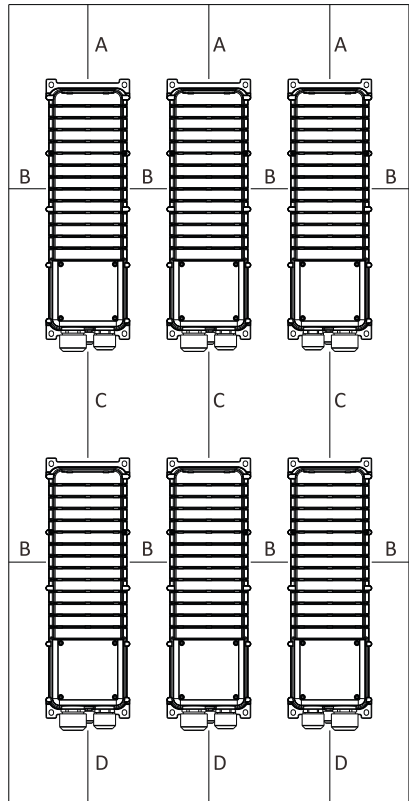
It is highly recommended to select a painted cabinet enclosure with high reflectance ratio to protect from solar radiant energy.



An active cooling can be added in the cabinet to guarantee a maximum temperature of 45°C all along the year.

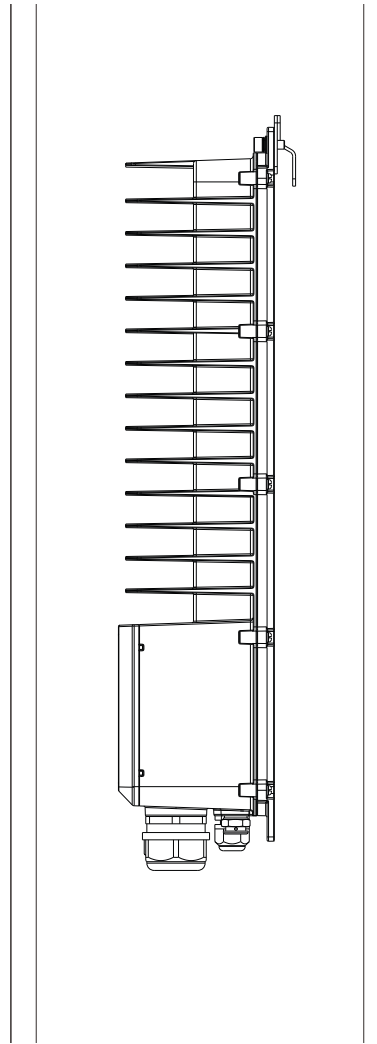
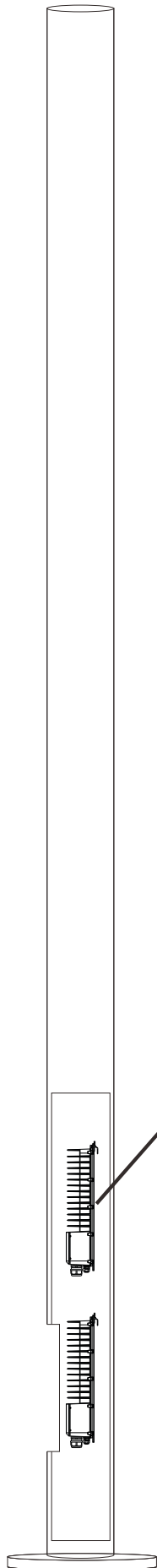
The distances between driver boxes or wall have to be higher than:

ITEM	DISTANCE
A	Min 80 mm
B	Min 80 mm
C	Min 120 mm
D	Min 150 mm



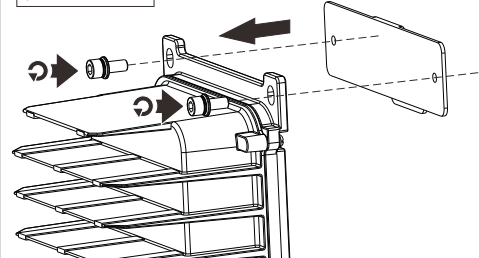
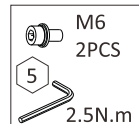
If you cannot follow the instructions, a thermal study must be done in order to respect Tc of the drivers below Tc max, Tc of the driver must be checked.

D. Installation of driver boxes in the mast(optional)

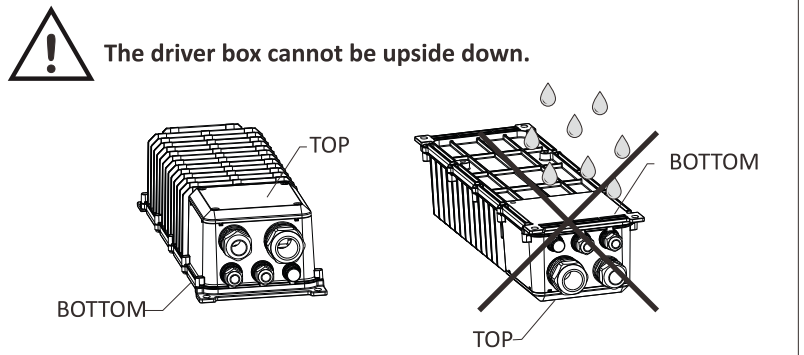
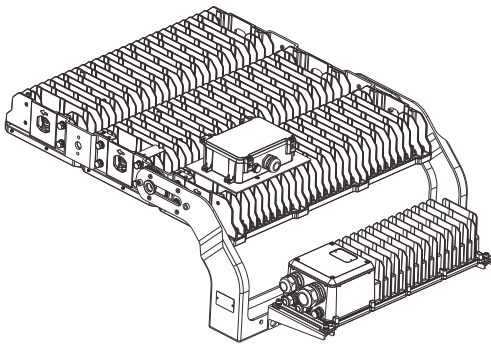
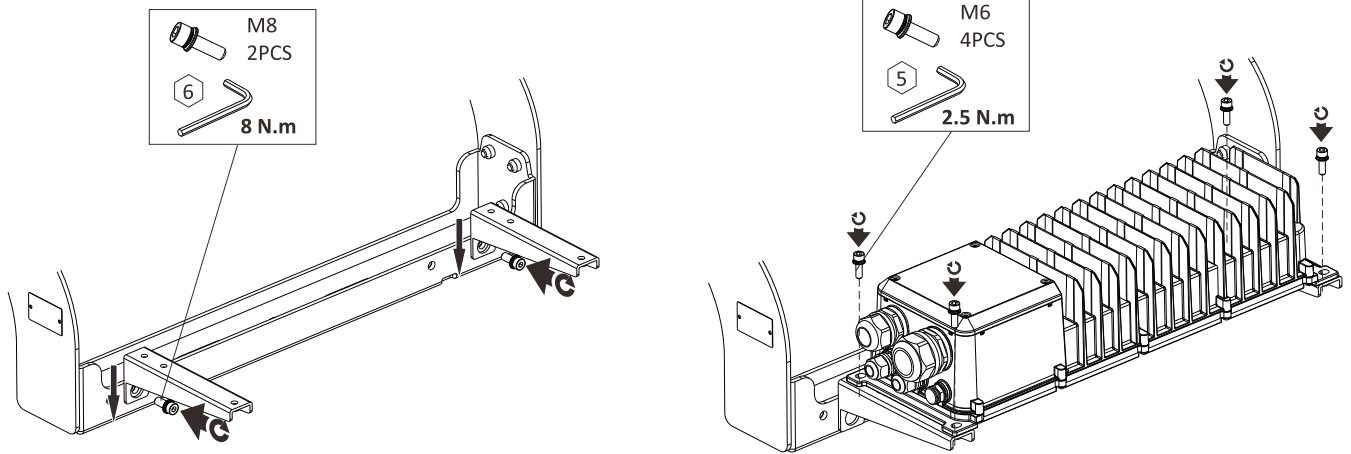


minimum width of the door: 160mm
minimum height of the door: 600mm
minimum inner diameter of the pole: 220mm

Depending of the driver fixation in the mast, please select the most suitable hook(no provided).



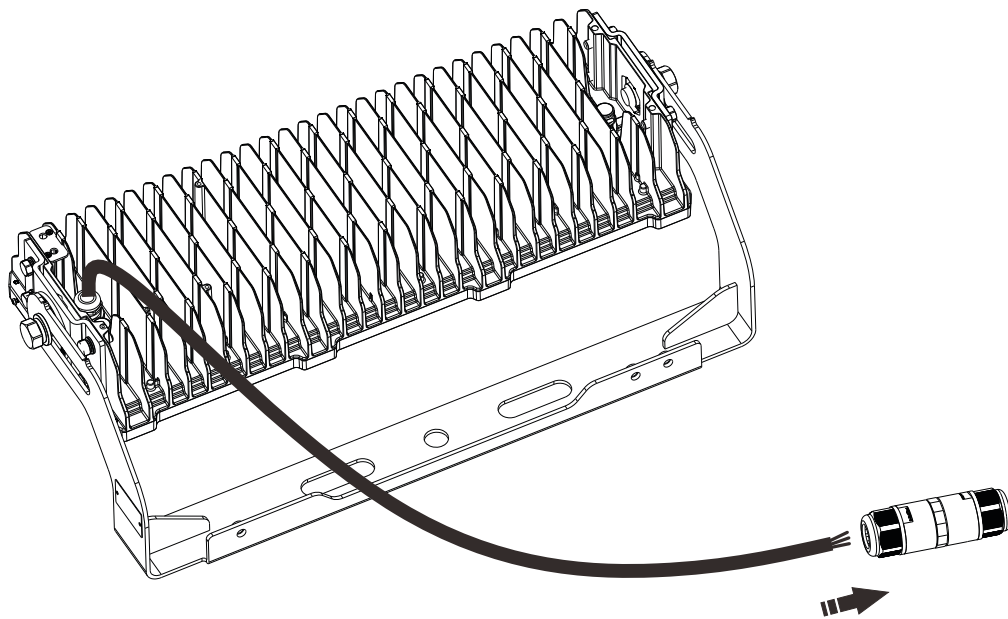
INSTALLATION OF DRIVER BOXES ON THE LUMINAIRE



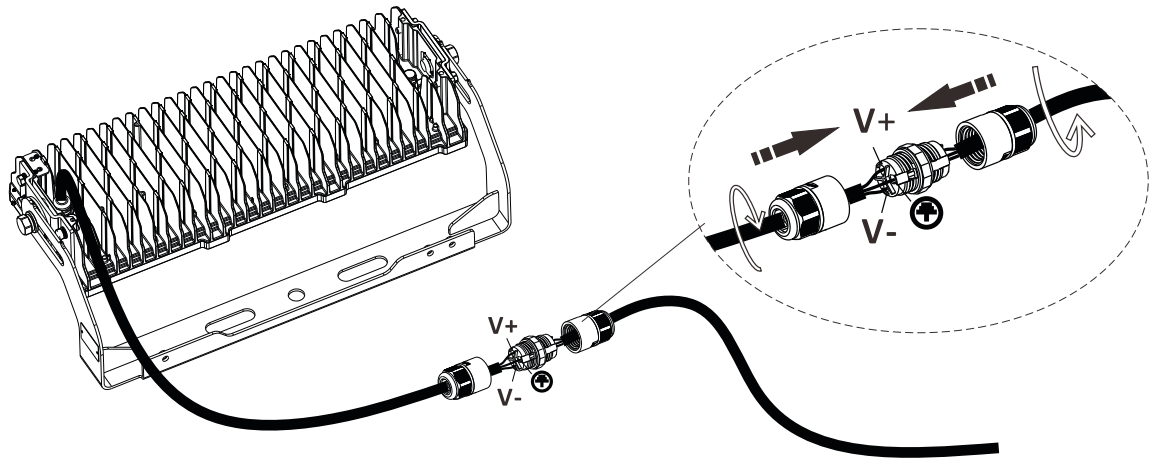
ELECTRICAL CONNECTION

600W-750W

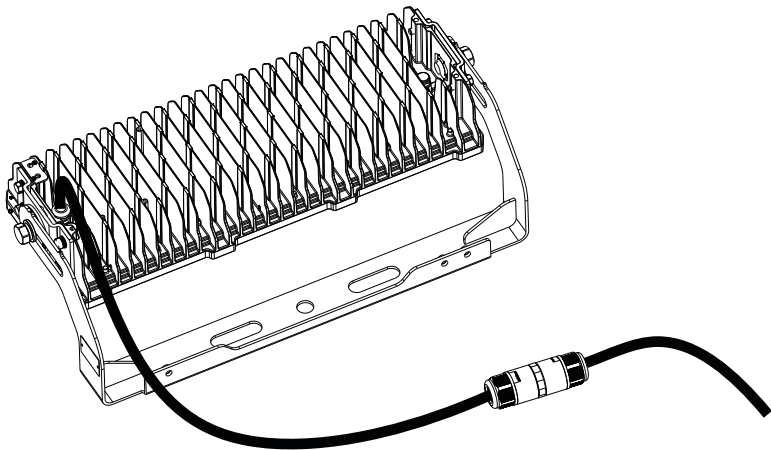
①



2



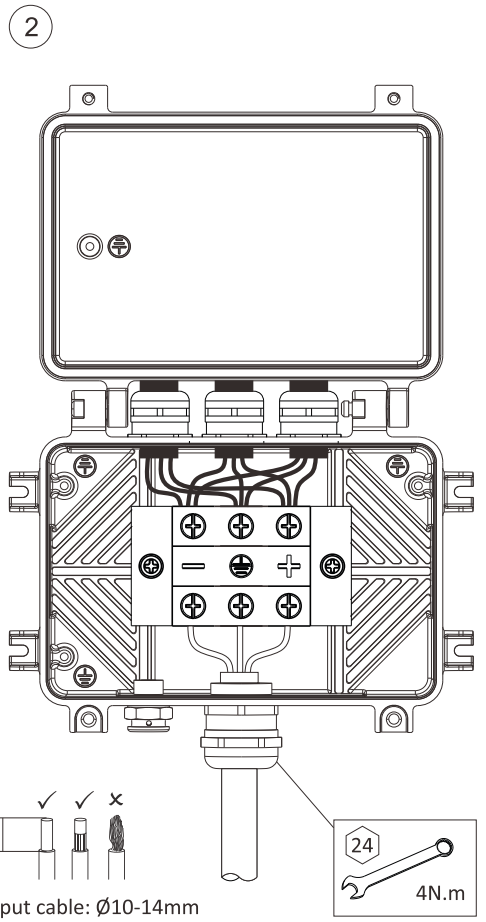
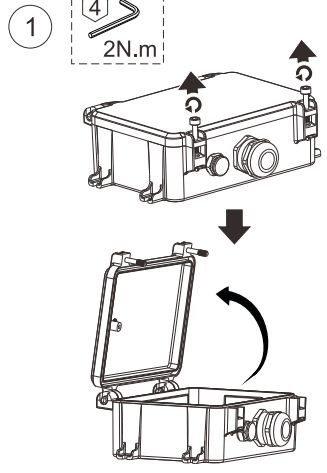
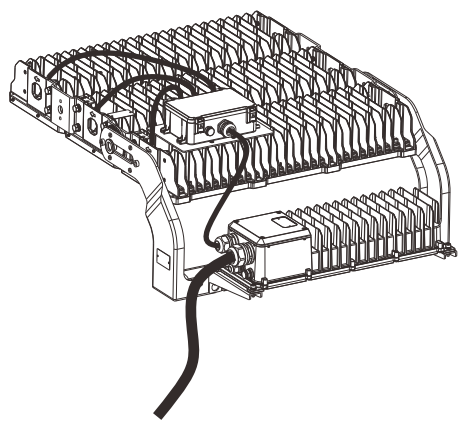
3



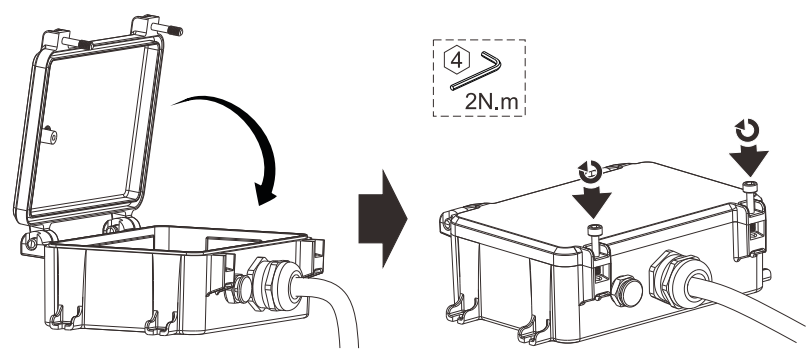
1200W-1800W

Wiring connection box

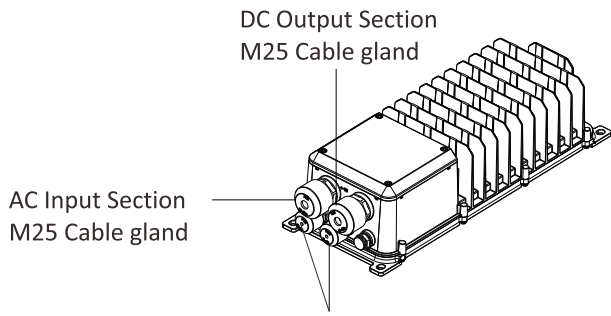
* Please ensure the PE wire is well connected for grounding purpose.



3

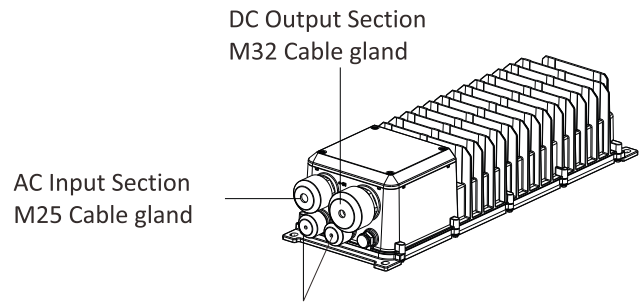


Wiring driver box



Dim Control Section M16 Cable gland
(2*M16 cable gland for DALI/DMX loop in/out wiring)

AHF-800SP-400DD/AHF-1K2SP-400DD

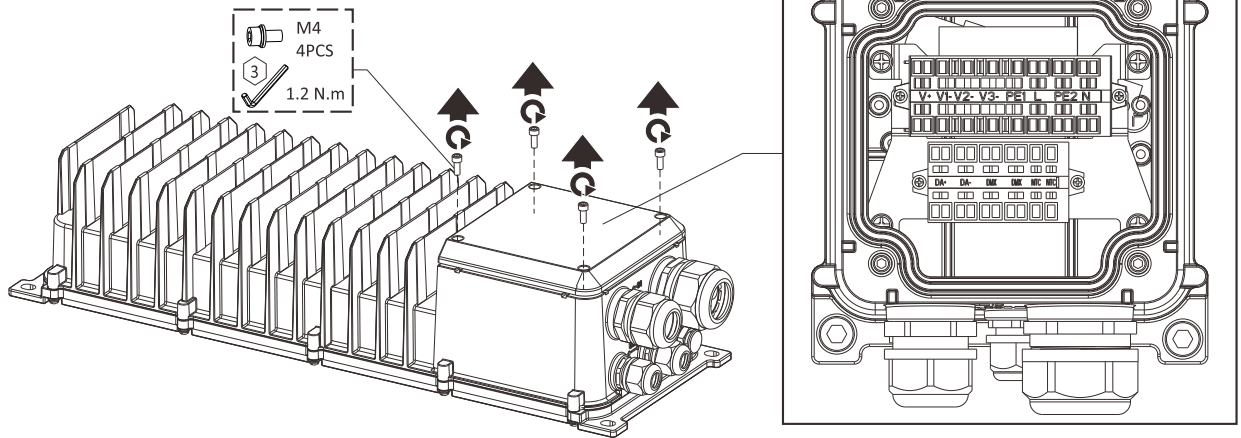


Dim Control Section M16 Cable gland
(2*M16 cable gland for DALI/DMX loop in/out wiring)

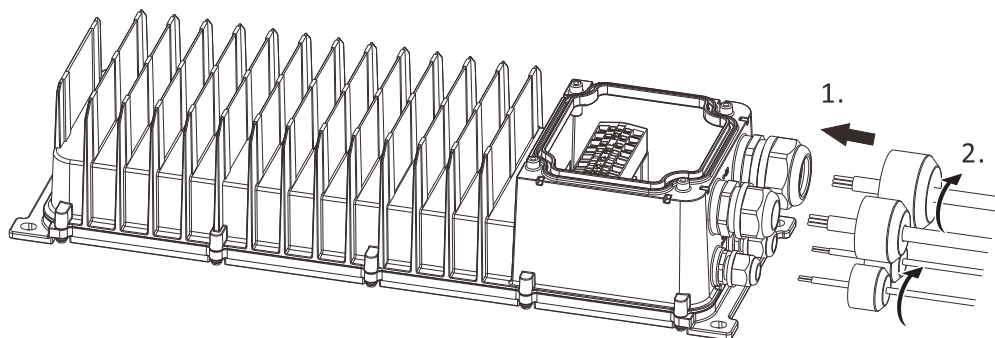
AHF-1K8SP-400DD

WATERPROOF CABLE GLAND		Ømin (mm)	Ømax (mm)	TORQUE	MAX VOLTAGE SUPPORTED	RATED CURRENT	CONNECTOR SECTION (mm ²)
DIM	M16	Ø5	Ø8.5	2.5 Nm	600V	20A	0.5mm ² -1.0mm ²
AC Input	M25	Ø13	Ø18	7.5 Nm	600V	20A	1.5mm ² -2.5mm ²
DC Output	M25	Ø10	Ø13	7.5 Nm	600V	20A	1.5mm ² -2.5mm ²
	M32	Ø10	Ø13	8 Nm	600V	20A	1.5mm ² -2.5mm ²

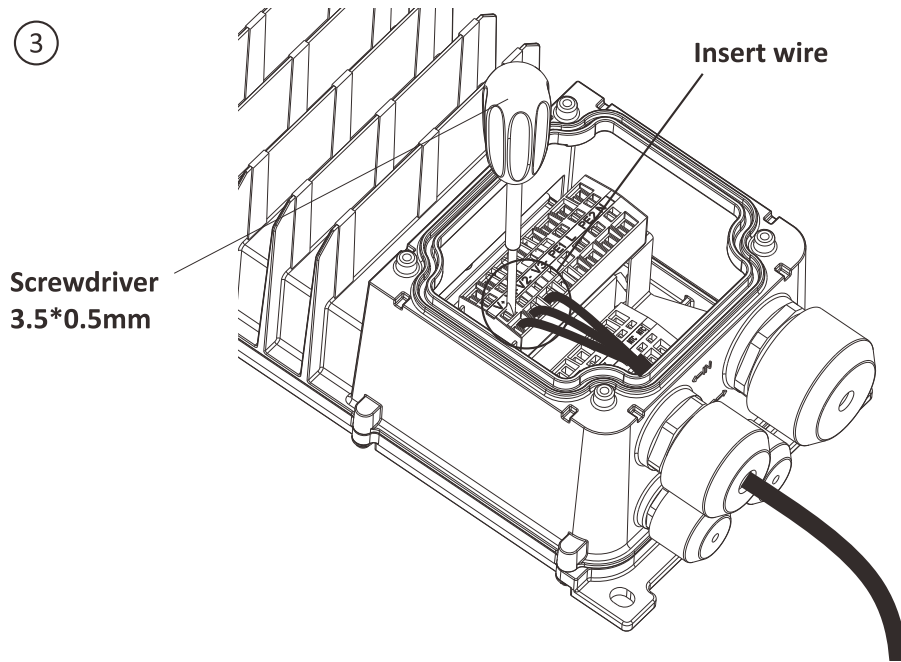
1



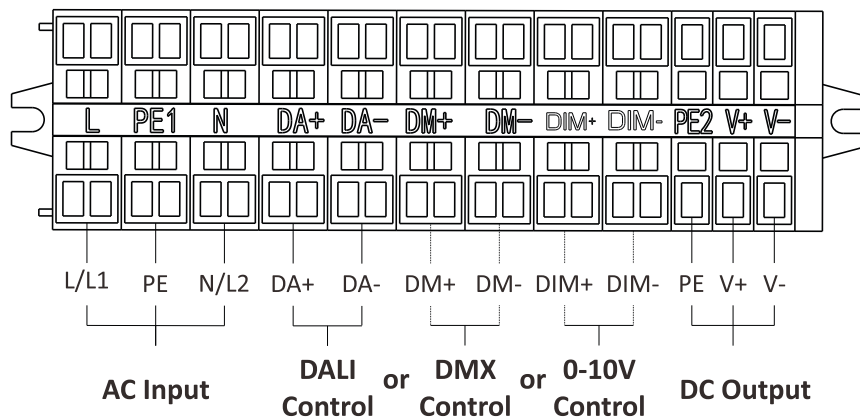
2



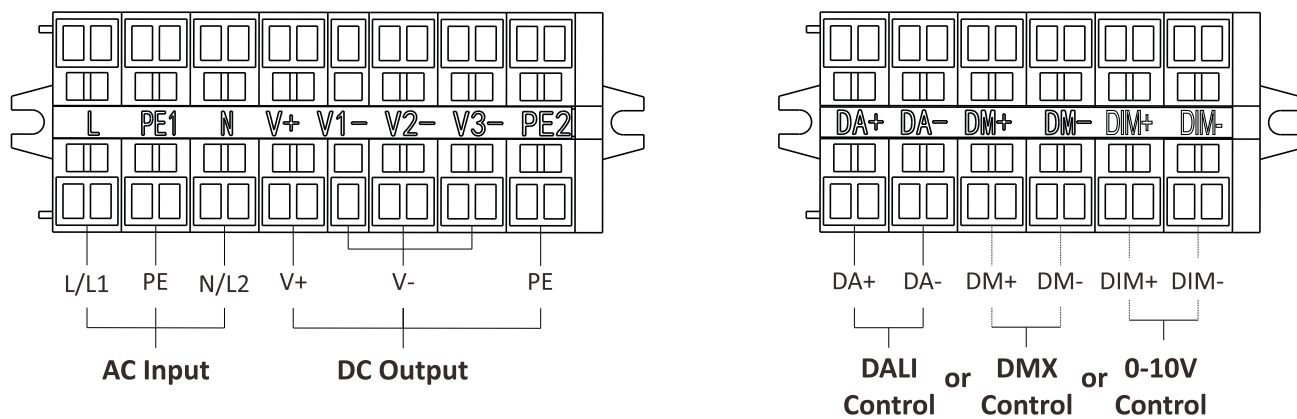
3



AHF-800SP-400DD/AHF-1K2SP-400DD

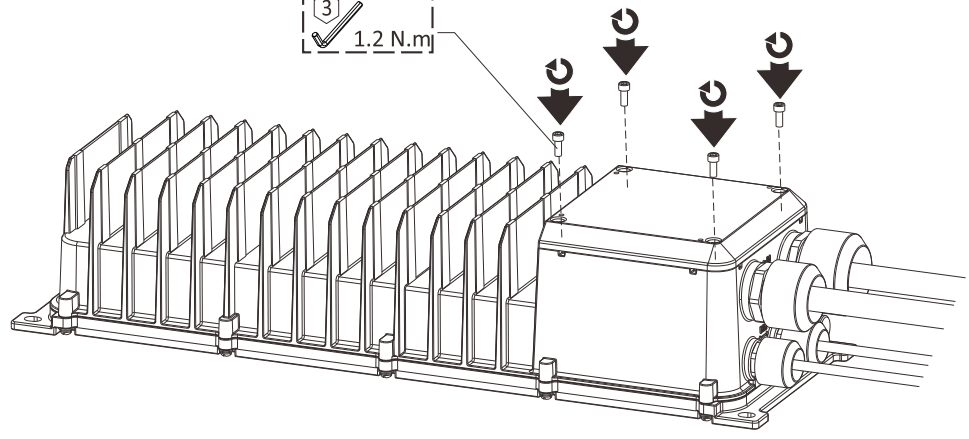


AHF-1K8SP-400DD



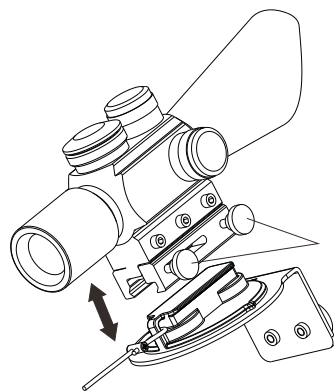
4

M4
4PCS
3
1.2 N.m



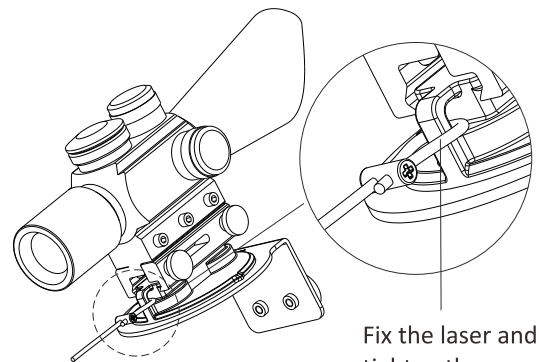
AIMING DEVICE MOUNT

1



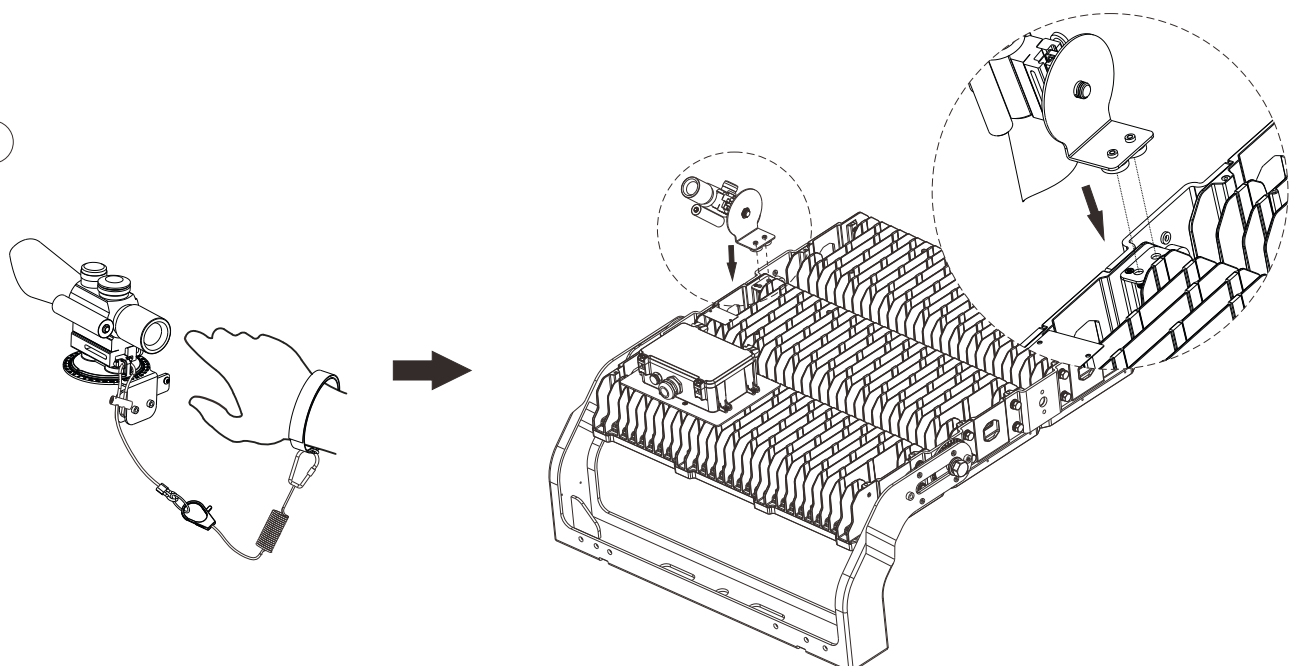
Loosen the screws slightly

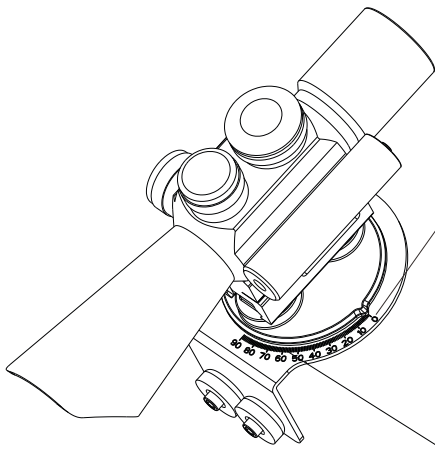
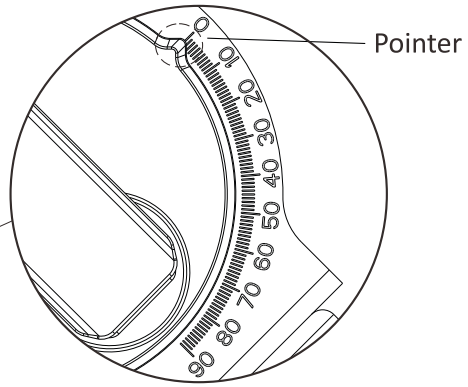
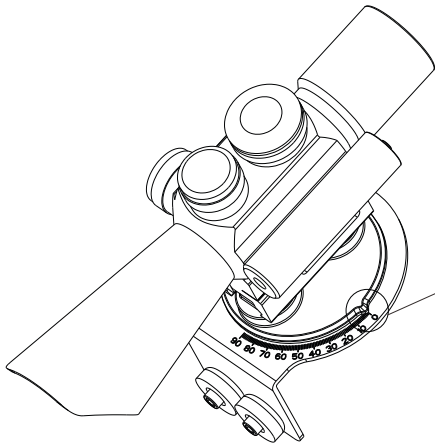
2



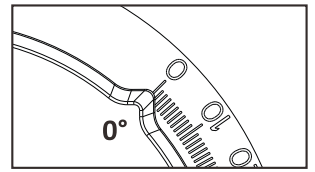
Fix the laser and tighten the screws

3

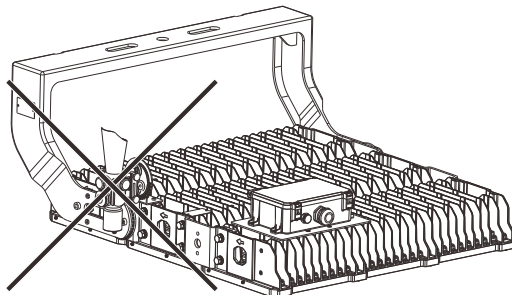
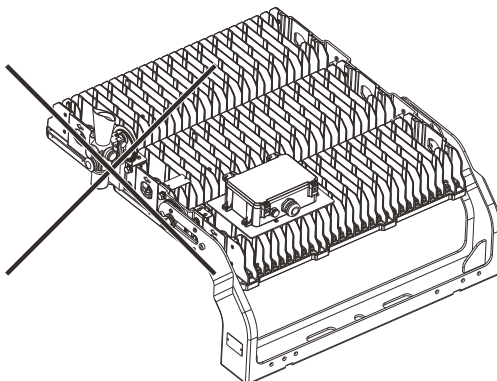
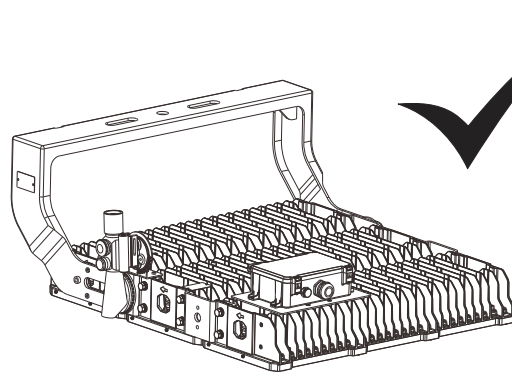
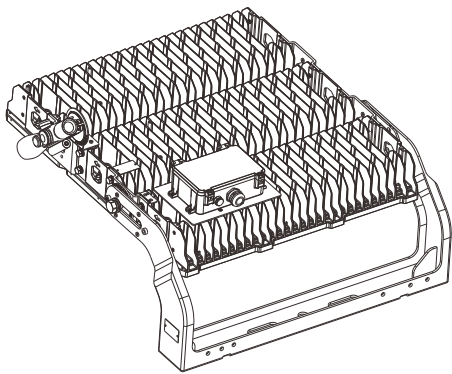
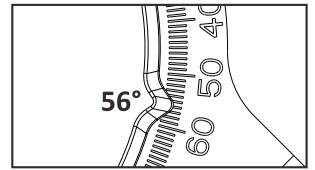




F16010(SYM 11°), F16011(SYM 15°),
F21801(SYM 30°), F21803(SYM 60°),
F21802(SYM 45°)

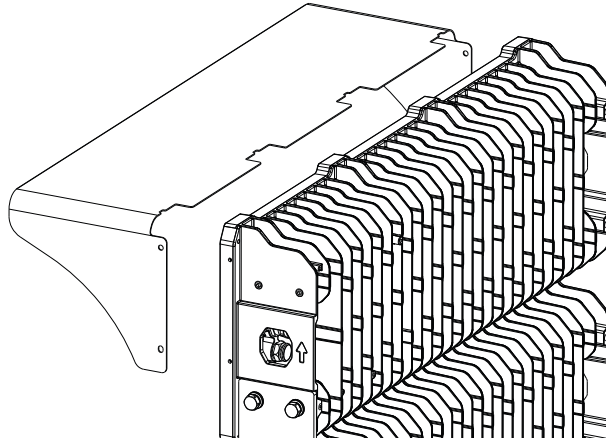


F16014(ASYM INTENSE 56°),
F16013(ASYM INTENSE 56°)

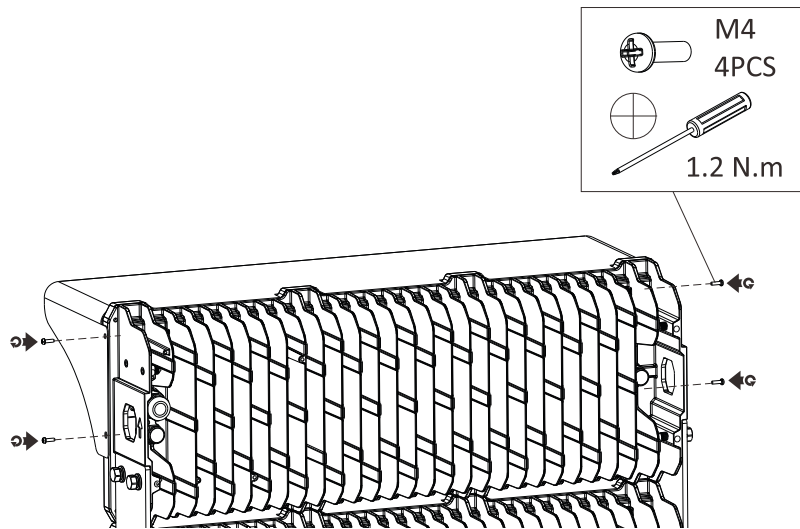


VISOR MOUNT

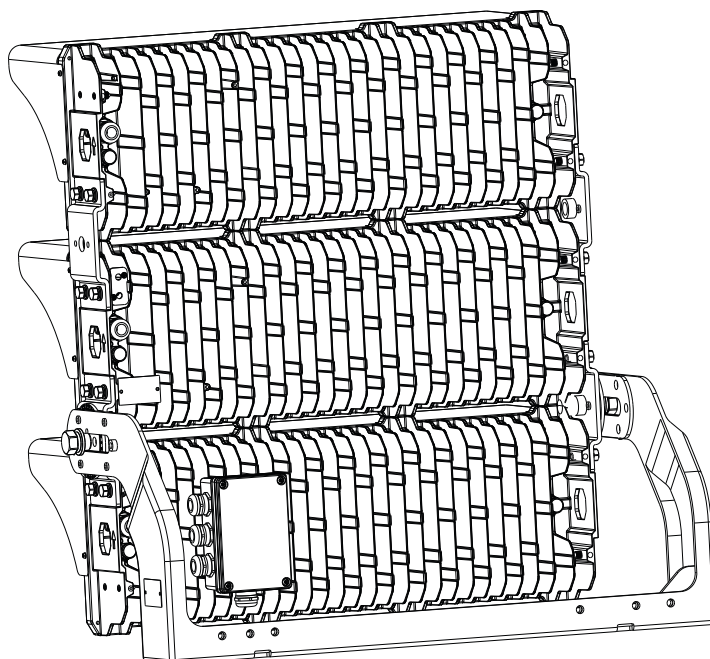
1



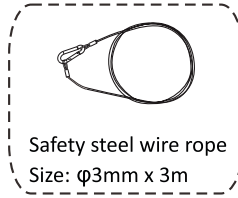
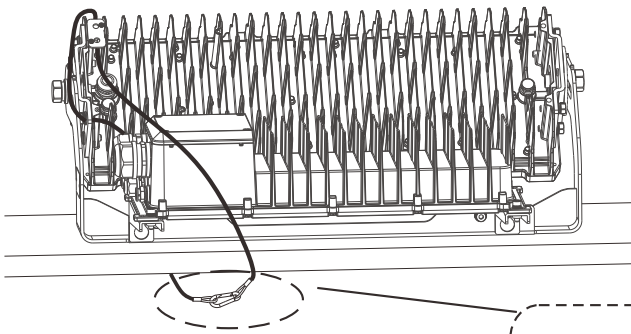
2



3

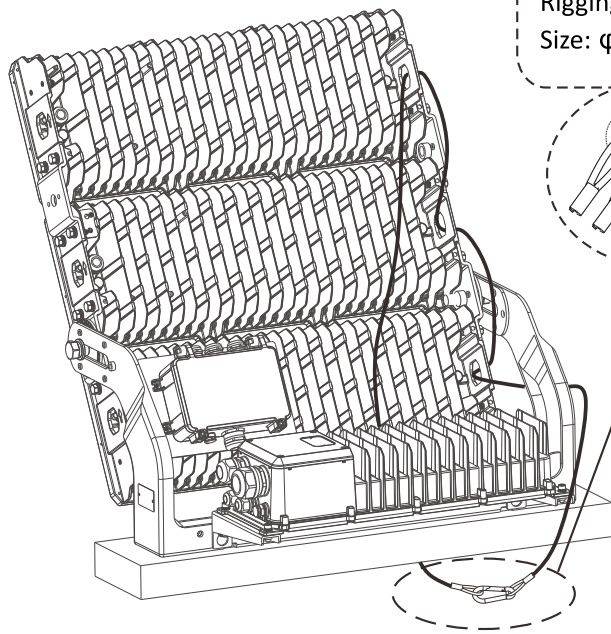


SAFETY ROPE MOUNT



Safety steel wire rope
Size: $\phi 3\text{mm} \times 3\text{m}$

*** When installing the safety rope, please ensure the safety rope pass through the holes of the luminaire.**



Rigging keychain
Size: $\phi 8\text{mm} \times 80\text{mm}$

